

**EQ系列行星减速机**  
EQ Series Planetary gear units

**减速器润滑**

润滑油种类选择

减速器使用工况	润滑油种类
冶金轧钢、井下采掘、高温有冲击、含水等	L-CKD重载荷工业齿轮油 (GB5903-1995)
其余工况	L-CKC中载荷工业齿轮油 (GB5903-1995)

注 若选用合成齿轮油则更具有良好的抗老化性能，可有效地提高减速器的机械效率。

润滑油粘度

条件	润滑油粘度等级 40℃温度下的ISO-VG 粘度mm <sup>2</sup> /s(cst)
高速圆周速度v < 2.5m/s, 或环境温度在35-50℃之间	VG320(或VG460)
高速级齿轮圆周速度v > 2.5m/s, 或环境温度在35℃以下, 或采用循环油润滑	VG220

浸油润滑润滑油的工作温度

润滑油种类	工作温度/℃
中载荷工业齿轮油L-CKC	-8℃至+90℃ (瞬间可达100℃)
重载荷工业齿轮油L-CKD	-5℃至+100℃ (瞬间可达110℃)

注意 :如果减速器的工作温度高于或低于表中规定极限值则应重新确定合适的润滑油。当环境温度低于0℃时启动前油温需加热到0℃以上。

强制润滑润滑油允许的极限温度

40℃温度下的ISO-VG 粘度mm <sup>2</sup> /s(cst)	强制润滑允许的极限温度/℃	
	矿物油	合成油
VG220	10-80	0-90
VG320	15-90	5-100
VG460	20-95	10-105

注意 :当油温低于表中所列数值时, 必须提供浸油润滑方式, 或对润滑油加热。

**Gear Units Lubrication**

Lubricant selection

Operating conditions of Gear units	Lubricant specification
Steel rolling, excavating, high temperature with shock, moisture, etc.	L-CKD heavy load industrial gear oil (GB5903-1995)
Others	L-CKC moderate load industrial gear oil (GB5903-1995)

Note It adopts the synthetic oil which has the better performance of anti-ageing so that improves the mechanical efficiency effectively.

Lubricant viscosity

Conditions	Lubricant viscosity classification Viscosity ISO-VG at 40℃ in mm <sup>2</sup> /s(cst)
Rotation velocity of high speed stage v < 2.5m/s, or ambient temperature between 35-50℃	VG320(or VG460)
Rotation velocity of high speed stage v > 2.5m/s, or ambient temperature at 35℃, or lubrication with circulating oil	VG220

Lubricant viscosity

Lubricant specification	Working temperature/℃
L-CKC moderate load industrial gear oil	From -8℃ to +90℃ (up to 100℃ moment)
L-CKD heavy load industrial gear oil	From -5℃ to +100℃ (up to 110℃ moment)

Notes :If the temperatures of gear units are above to below the values as listed in table, it determines the proper oil again, If the ambient temperatures are below 0℃, the oil has to be heated above 0℃.

Permissible temperature limit for forced feed lubrication

Viscosity ISO-VG at 40℃ in mm <sup>2</sup> /s(cst)	Permissible temperature limit for forced feed lubrication/℃	
	Mineral oil	Synthetic oil
VG220	10-80	0-90
VG320	15-90	5-100
VG460	20-95	10-105

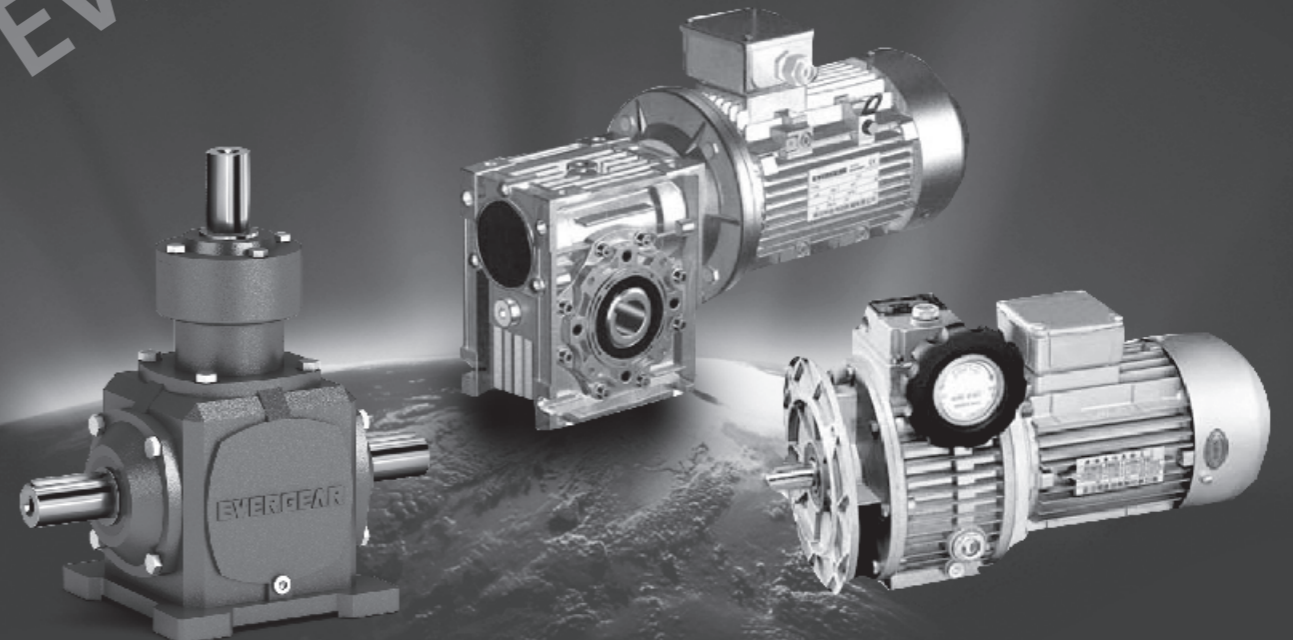
Notes :If the temperatures are below the values as listed in table, dip lubrication has to be provided or the oil must be heated.

**OTHER Series**

**EZ系列弧齿锥齿轮减速机**  
EZ Series Spiral Bevel Gear Reducer

**MB无级变速器**  
MB Variable Speed Machine

**NMRV蜗轮减速机**  
NMRV Worm Wheel Reducer



**EVERGEAR**



① 概述  
Summarize

- 1.EZ系列弧齿锥齿轮减速机是一级弧齿锥齿轮传动箱，传动比有1、1.5、2、2.5、3。
- 2.传动效率高，单机型减速机效率高达96%。
- 3.有单横轴、单纵轴、双纵轴可选。

- 1.EZ series bevel helical gear reductor is the first stage gear case with transmission ratio of 1,1.5,2,2.5 and 3.
- 2.High transmission efficiency. A single machine can reach a transmission efficiency as much as 96%.
- 3.There are single transverse shaft, single longitude shaft and double longitude shafts for select.

② 场所条件  
Working Environment:

- 1.环境温度-40℃~50℃。(0℃以下启动时润滑油要加热到0℃以上。)
- 2.海拔不超过1000米。
- 3.输入转速不大于1800rpm，齿轮最高圆周速度不超过22m/s。
- 4.可用于正反运转。
- 5.无行业限制。
- 6.其他条件下使用请与我公司技术部联系。

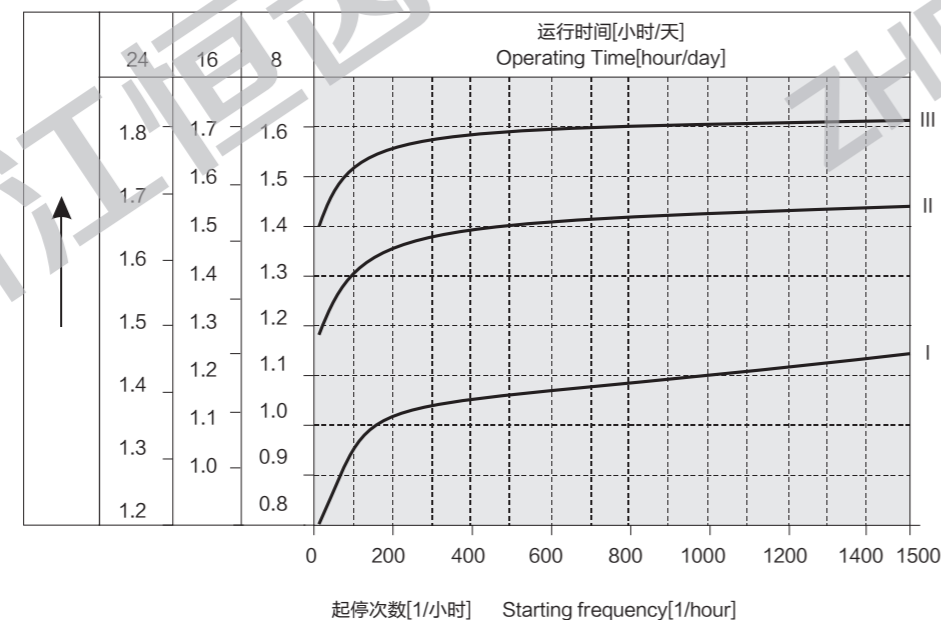
- 1.Working temperature: -40℃~50℃ [The lubrication should be heated until above 0℃ if the machine works Below 0℃.]
- 2.The working place should be lower than 1,000 meters above sea level.
- 3.The input rotational speed should not exceed 1,800r/m. The circumferential speed of the gear should not exceed 22m/s.
- 4.Suitable for normal-reverse rotation.
- 5.Without industry limitation.
- 6.Please consult our technical supporting department for other circumstances.

③ 选型指南  
Instructions for Selection

在确定使用系数之前必须先确定一天的运行小时数，每小时的起停次数和负载类型。其中负载类型按下列公式计算：

The daily operating time, the starting frequency and the load classifications must be determined before deciding the service factor. The load classifications is calculated with the following formula:

工况系数  $f_A$  Operating Mode Factor  $f_A$



负载类型 Load classification

- I 均匀负载，惯性加速系数在  $\leq 0.2$   
Uniform load, mass acceleration factor  $\leq 0.2$
- II 中等冲击负载，惯性加速系数  $\leq 3$   
Medium Impact load, mass acceleration factor  $\leq 3$
- III 强烈冲击负载，惯性加速系数  $\leq 10$   
Heavy shock load, mass acceleration factor  $\leq 10$

如果惯性加速系数  $> 10$ ，请与我公司技术部联系。  
Please contact our technical supporting department in case the mass acceleration factor  $> 10$ .

$$\text{惯性加速系数} = \frac{\text{所有外部转动惯量}}{\text{驱动电机的转动惯量}}$$

Mass acceleration factor =  $\frac{\text{All external mass moments of inertia}}{\text{Mass moment of inertia on the motor end}}$

选型时必须满足下式：  
Type selection should meet the following formula:

$$\text{减速机的许用输入功率} \geq \text{减速机的输入功率} \times \text{工况系数 } f_A$$

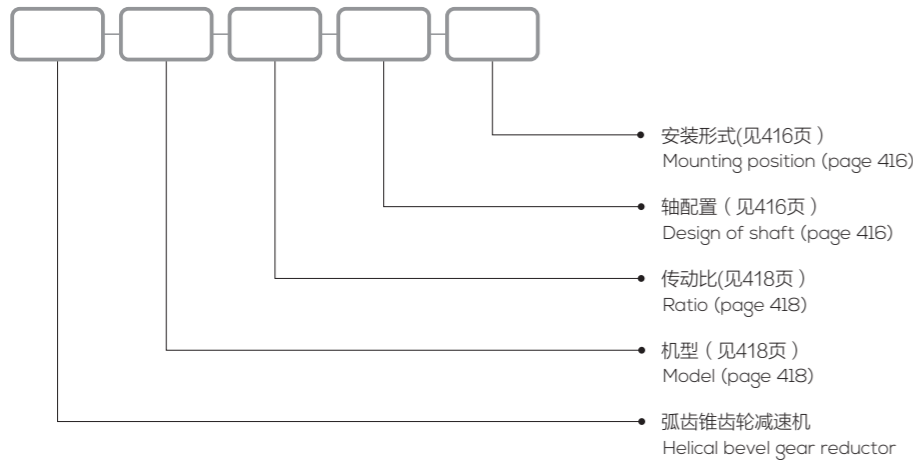
Permissible input power of reductor  $\geq$  Input power of reductor  $\times$  Operating mode factor  $f_A$

注 Notes

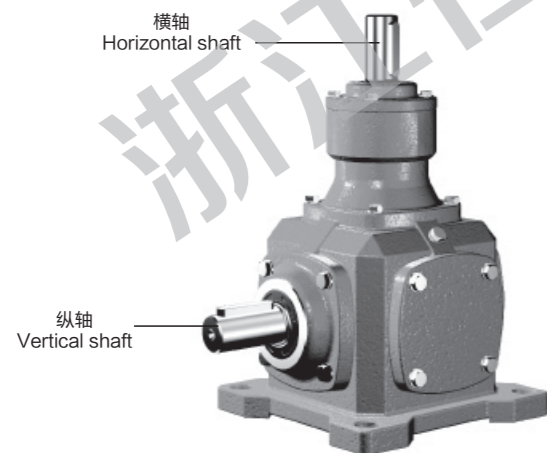
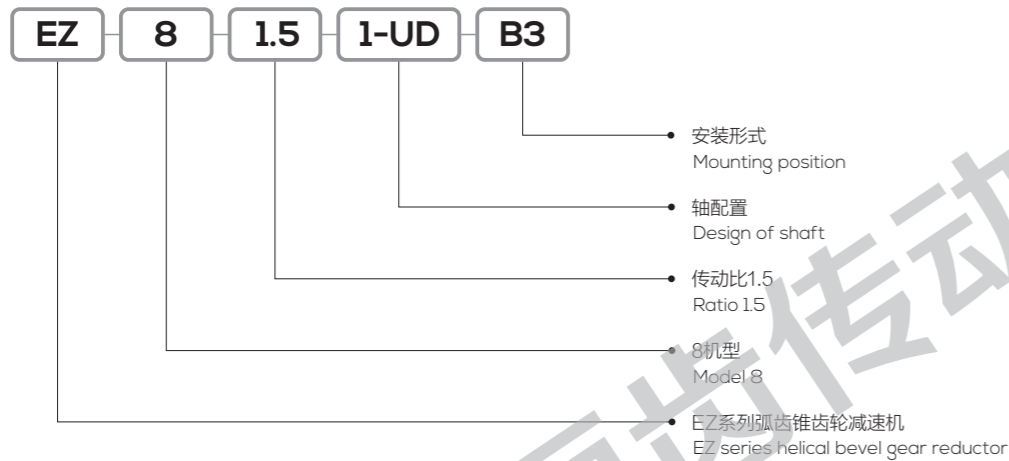
1. 减速机的许用输入功率已在后面的选型参数表中列出。
  2. 输出轴端允许的径向载荷及轴向载荷资料，请与我公司技术部联系。
  3. 减速机的使用与维护请参阅随机附带的《减速变速器使用说明书》。
1. Permissible input power of reductor is listed in the parameter selection table.
  2. Please contact our technical supporting department for the information on the permitted overhung loads and the axial forces at the end of the output shaft.
  3. Regarding the use and maintenance of the reductor, please refer to the attached «Instruction Manual of the Reductor and the Variable Speed Motor» .



4 型号说明  
Instructions for Models:



示例  
Sample

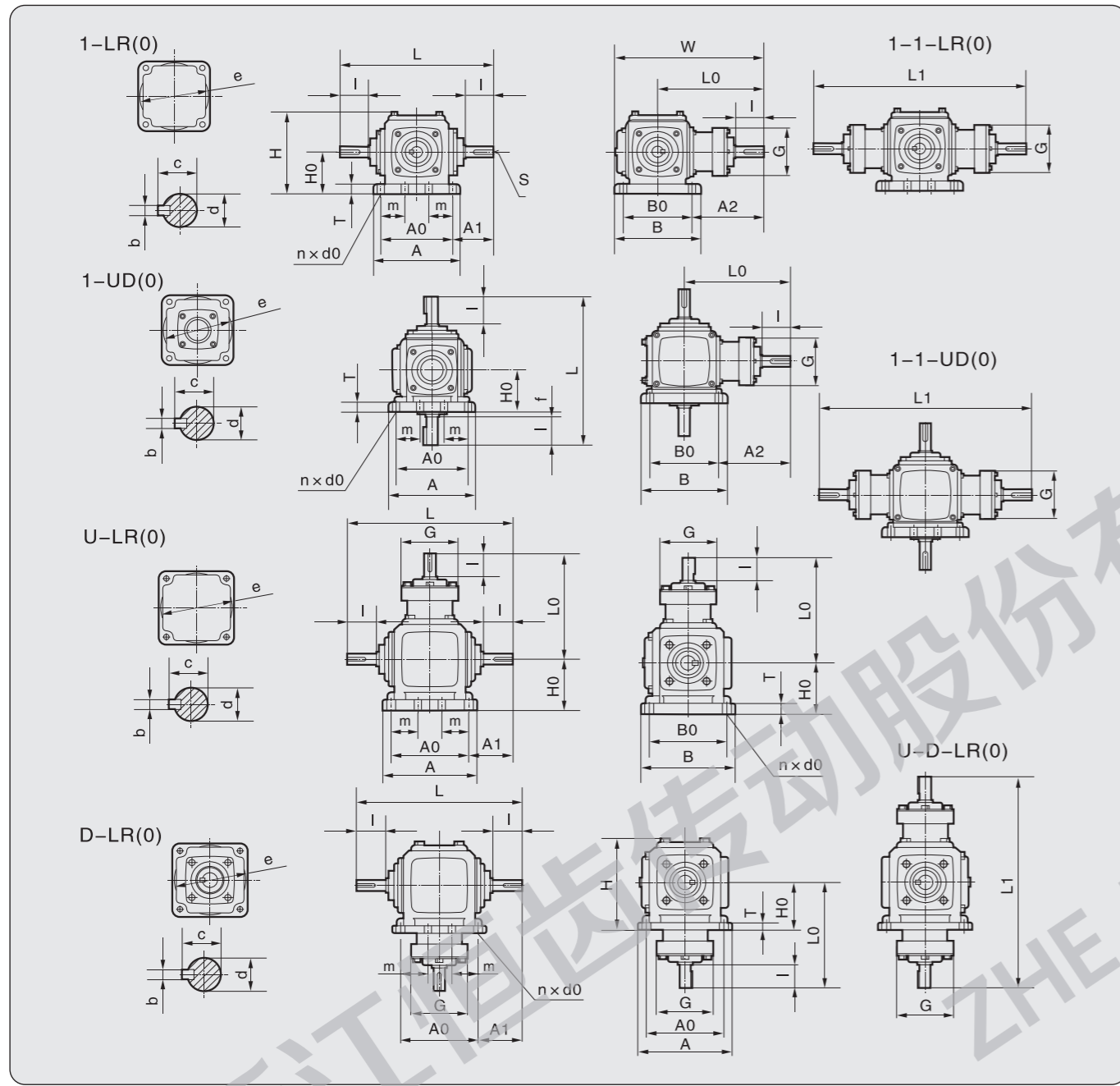


注: 当横轴输入时, EZ系列螺旋锥齿轮减速机为减速。  
当纵轴输入时, EZ系列螺旋锥齿轮减速机为增速。

Note: EZ series bevel helical gear reductor is deceleration when inputting horizontal shaft.  
EZ series bevel helical gear reductor is acceleration, when inputting vetical shaft.

安装形式图 Mounting Position Example

轴配置轴旋转方向关系 The relationship between design of shaft and direction of shaft			安装形式 Mounting position		
1-LR 	1-R 	1-L 			
1-LR-O 	1-R-O 	1-L-O 			
1-UD 	1-U 	1-D 			
1-UD-O 	1-U-O 	1-D-O 			
U-LR 	U-R 	U-L 			
U-LR-O 	U-R-O 	U-L-O 			
D-LR 	D-R 	D-L 			
D-LR-O 	D-R-O 	D-L-O 			
1-1-LR 	1-1-R 	1-1-L 			
1-1-LR-O 	1-1-R-O 	1-1-L-O 			
1-1-UD 	1-1-U 	1-1-D 			
1-1-UD-O 	1-1-U-O 	1-1-D-O 			
U-D-LR 	U-D-R 	U-D-L 			
U-D-LR-O 	U-D-R-O 	U-D-L-O 			



型号 Model	安装尺寸 Installation dimensions					轴伸尺寸 Shaft dimensions					外形尺寸 Overall dimensions										重量 Kg			
	H0	A0	B0	A1	A2	m	L0	nxd0	d	b	c	I	S	L	H	A	B	W	G	T		f	L1	ex深
EZ2	52	84	84	48	82	0	124	4x9	15	5	17	30	M4	180	100	100	100	174	74	10	6	—	94x3	4
EZ4	76	125	125	53.5	117.5	0	180	4x11	19	6	21.5	38	M5	232	145	155	155	257.5	79	17	2	360	145x5	10
EZ6	90	152	152	81	146	0	222	4x14	25	8	28	50	M6	314	175	190	190	317	98	17	17	444	175x5	21
EZ7	100	174	174	86	178	0	265	4x14	32	10	35	60	M8	346	198	210	210	370	116	22	13	530	205x5	32
EZ8	115	195	195	110.5	210.5	0	308	4x14	40	12	43	75	M10	416	225	235	235	425.5	136	22	18	616	240x5	49
EZ10	140	240	240	120	240	0	360	4x16	45	14	48.5	90	M12	480	270	285	285	502.5	156	25	10	720	295x5	78
EZ12	175	290	290	130	270	0	415	4x21	50	14	53.5	100	M16	550	340	340	340	585	180	32	0	830	350x5	124
EZ16	200	330	330	150	290	0	455	4x25	60	18	64	105	M20	630	410	390	390	606		40	10	910	420x5	188
EZ20	245	330	430	195	330	110	545	8x21	72	20	76.5	105	M20	720	485	410	490	800		32	10	1090	360x5	297
EZ25	290	390	520	235	400	130	660	8x24	85	22	90	130	M20	860	587	480	580	957		35	10	1320	430x5	488

传动比 Ratio	输入转速 (r/min) Input speed	输出转速 (r/min) output speed	EZ2	EZ4	EZ6	EZ7	EZ8	EZ10	EZ12	EZ16	EZ20	EZ25
			输入功率(kW) Input power									
1	1450	1450	1.79	4.19	14.9	22	45.6	65.3	96	163		
	1150	1150	1.43	3.46	12.7	18.4	37.5	55.7	81.1	139	234	
	870	870	1.12	2.45	10.5	15.2	29	44.6	67.5	114	193	335
	580	580	0.747	1.72	7.35	11.4	19.8	30.6	49.7	85.9	145	252
	400	400	0.524	1.3	5.2	8.34	14	21.5	35.1	66.1	112	195
	300	300	0.396	0.88	3.93	6.35	10.6	16.4	26.8	54.1	90.8	159
	200	200	0.266	0.448	2.66	4.3	7.23	11.1	18.2	39.3	69.0	119
	100	100	0.136	0.046	1.36	2.2	3.7	5.72	9.36	20.3	35.3	60.0
10	10	0.014		0.141	0.228	0.386	0.599	0.983	2.14	3.53	6.30	
1.5	1450	967			12.1	15	19.1	38.7	58.3			
	1150	767			9.96	12	15.4	31.2	49.2			
	870	580			7.66	9.3	11.8	24.1	40.7			
	580	387			5.23	6.32	8.14	16.4	28.9			
	400	267			3.66	4.41	5.7	11.6	20.3			
	300	200			2.77	3.35	4.34	8.78	15.5			
	200	133			1.87	2.28	2.91	5.95	10.5			
	100	37			0.957	1.16	1.49	3.04	5.37			
10	7			0.099	0.12	0.155	0.316	0.56				
2	1450	725	0.94	3.32	7.9	10.6	14	23.6	40	73.7	126	
	1150	575	0.74	2.67	6.39	8.55	11.3	19	31.7	59.5	102	119
	870	435	0.56	2.04	4.88	6.56	8.7	14.6	24	46.0	79.0	155
	580	290	0.37	1.38	3.34	4.47	5.92	10	16.3	31.3	54.2	107
	400	200	0.26	0.96	2.33	3.12	4.15	7.02	11.5	22.0	38.0	75.4
	300	150	0.19	0.73	1.76	2.37	3.14	5.33	8.71	16.7	29.0	57.4
	200	100	0.13	0.49	1.18	1.59	2.12	3.61	5.89	11.3	19.7	39.2
	100	50	0.06	0.3	0.608	0.812	1.08	1.84	3.01	5.84	10.1	20.1
10	5	0.015	0.026	0.062	0.084	0.112	0.191	0.313	0.605	1.06	2.11	
2.5	1450	580			5.97	6.99	11.4	18.2	31.4			
	1150	460			4.78	5.64	9.11	14.7	25.3			
	870	348			3.68	5.3	7	11.2	19.5			
	580	232			2.48	2.92	4.76	7.68	13.3			
	400	160			1.73	2.05	3.34	5.38	9.32			
	300	120			1.32	1.55	2.53	4.06	7.08			
	200	80			0.888	1.05	1.71	2.75	4.79			
	100	40			0.448	0.528	0.867	1.4	2.43			
10	4			0.046	0.054	0.089	0.144	0.251				
3	1450	483			4.84	5.42	8.2	14	23.6	48.2	82.3	158
	1150	383			3.88	4.34	6.55	11.3	19	38.9	66.6	130
	870	290			2.97	3.34	5.04	8.66	14.6	30.1	51.6	101
	580	193			2.02	2.25	3.42	5.89	9.92	20.4	35.4	69.9
	400	133			1.41	1.58	2.39	4.11	6.98	14.4	24.8	49.3
	300	100			1.07	1.18	1.8	3.11	5.29	10.9	18.9	37.6
	200	67			0.712	0.803	1.22	2.1	3.57	7.38	12.9	25.6
	100	33			0.363	0.409	0.618	1.07	1.82	3.82	6.60	13.1
10	3			0.037	0.042	0.064	0.11	0.188	0.40	0.69	1.4	

注: 1.表中没有的转速值按插入法计算。

2.横轴转速超过1450r/min时, 向我公司咨询。

3.横轴转速未达到10r/min时, 请使用10r/min的数据。

4.本表使用系数一律为1.0。

5.本表全部为减速(除1以外)传动的输入功率, 当需要增速时, 输入功率的数据应除以减速比。

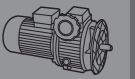
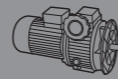
Note: 1 .If speed is not list in table, please calculated with inserting method.

2.Please consult us, when the speed of horizontal shaft is more than 1450r/min.

3.Please refer to the parameter of 10r/min in the table when the speed of horizontal shaft is less than 10r/min.

4.The service factor of table is 1.0.

5.All input power of table (except for 1) is for deceleration transmission. It's essential that the parameter of input power should divide ratio.



## 无极变速器 The variable speed machine

### 1 概述 Summarize

MB转臂行星式无级变速器产品造型新颖、外型美观、结构简单、操作方便、具有受力均匀、调速灵敏度高、传动平稳、承载能力强等特性，适宜于连续运转工作，且能在负载中按需要调节速度，最适应于工艺参数多变或连续变化的场合，广泛地应用于食品包装、啤酒饮料、橡胶塑料、制药制革、电子仪表等轻工行业、机械设备及各种自动生产线上大量使用。而MBQ特轻型转臂行星无级变速器及其机壳采用高强度铝质合金材料压铸而成，造型精致美观、体积小、重量轻，对悬挂式或变速器重量有要求的场所特别适用。

The MB pivoted arm planetary stepless variable speed motor, modern in design and stylish in appearance, is simple in structure and easy to operate. With the even stress, high governing sensitivity and excellent durability, it's capable of continuous operation. Moreover, the speed can be adjusted as required when loaded, so it's suitable for changful or continuously changing technical parameters. It's widely used in all kinds of product lines in the light industries such as food packing, beer and beverage making, rubber and plastic processing, medicine making, leather manufacturing, electronic instrument manufacturing, as well as mechanical equipment making. The MBQ extra-light pivoted arm stepless variable speed motor and its casing are cast in high strength aluminum alloy, fine in appearance, small in dimension, light in weight, can be suspended at use, and is applicable where heavy variable speed motor is not suitable.

### 2 性能特点 Characteristics

#### 高强度 High strength

在加冲击负载或机器逆转时，本机性能可靠、传动精确，无后座力、具有足够的强度，其输出扭矩—转速特性曲线呈硬特性。  
It is strong enough that it functions stably with precise transmission but without recoil when there is impact load or in reverse rotation. Its torque-rotational speed character curve appears rigid.

#### 变速范围大 Wide range speed change

MB机型变速范围为1:5，即传动比可在1.45~7.25之间任意变化，而MBQ机型变速范围为1:6，传动比可在1.45~8.5之间任意变化，因此本机易于减速机组合，而得到极低的速比。  
The speed change range of the MB model is 1:5, that is, any change with the transmission ratio varying from 1.45 to 7.25. The speed change range of the MBQ model is 1:6, that is, any change with the transmission ratio varying from 1.45 to 8.5. So, this equipment is convenient to be combined with reducers, to reach a very low speed ratio.

#### 性能稳定 Reliable performance

本机所有的传动部件都经过严格处理、精密加工、研磨，接触和润滑良好，运行平稳，噪音低，输出轴和输入轴均无附加的轴向力、寿命长。  
All the parts of this equipment have been well processed, finely abraded, contacted and lubricated with strict control. It works stably with low noise. There's no extra axial force upon the input or output shaft. It can endure a long time.

#### 组合能力强 Variable combination:

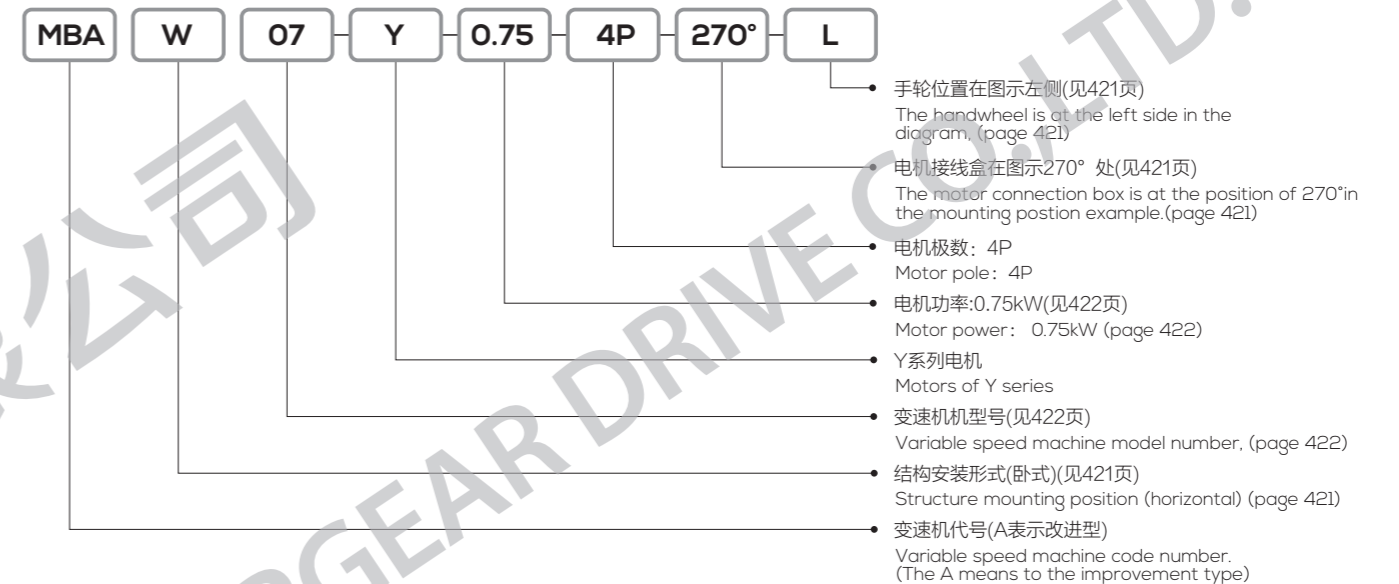
本机能与摆线针轮减速机、齿轮减速机、蜗轮蜗杆减速机及其它减速机组合，实现低速无级变速，因此它具有广泛的适用性。  
This equipment can be combined with the cycloidal pinwheel reductor, the gear reductor, the worm and gear reductor, and other reducers, to perform stepless speed change, at low speed so it can be widely adopted.

#### 调速精度高 High precise governing

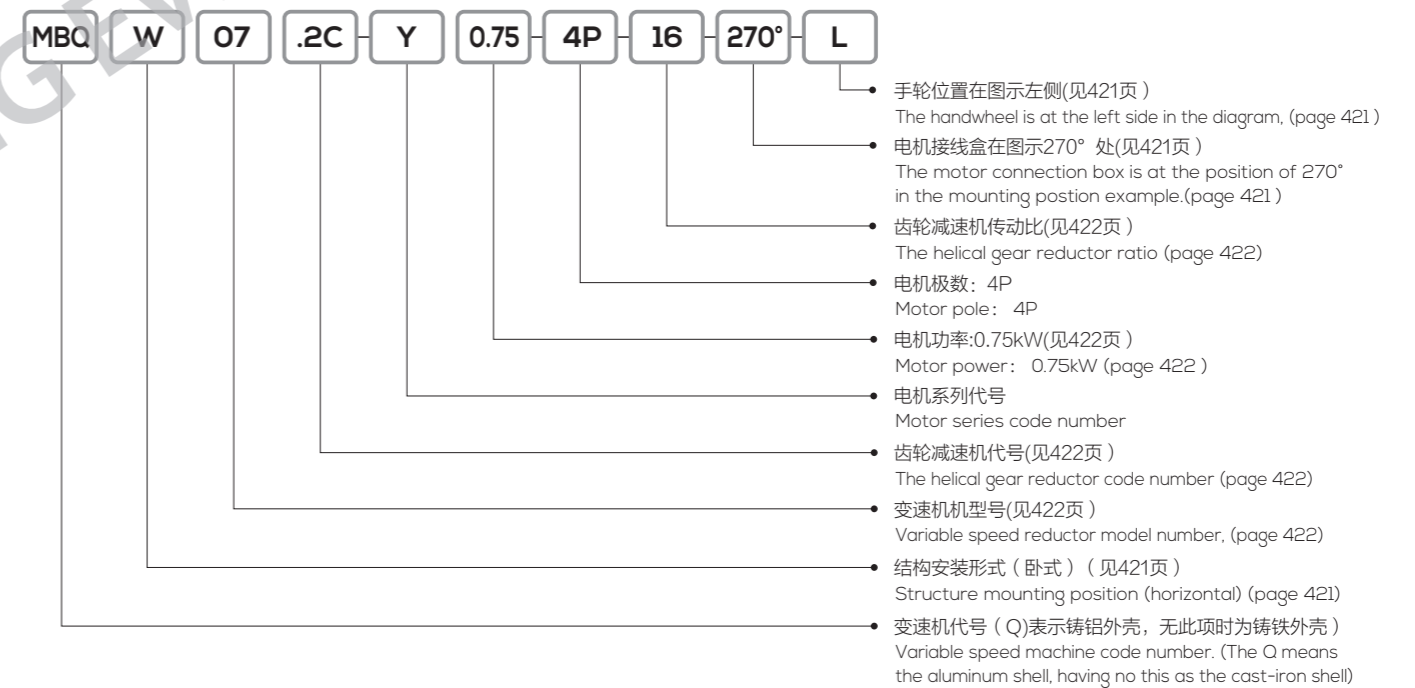
调速精度为0.5~1转，这是目前同类无级变速器中仅有的。  
The governing precision is 0.5-1 round, prevails any like products at present.

### 3 型号表示法 The expressing method of model

#### 基本型表示方式 The expressing method of the basic type

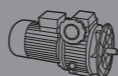


#### 基本型与齿轮减速机组合表示方法 The expressing method of the basic type combine with helical gear reductor



注: 1.轴输入型没有电动机的各项内容。  
2.无特别说明时Y系列电动机供货按IP54防护等级。  
3.不注明接线盒角度时，按电机接线盒安装形式图(见421页)中0度位置供货。  
4.不注明手轮位置时，按手轮位置图(见421页)中R位置供货。

Note: 1.The shaft-input type is not equipped with any motor.  
2.Motors of Y series are supplied with protection grade of Ip54 unless otherwise specified.  
3.0° as shown in the mounting position example (page 421) is the default connection box angle when supplying unless otherwise specified.  
4.The mounting position of R as shown in the mounting position example (page 421) is the default position of handwheel when supplying unless otherwise specified.



MB无级变速器及齿轮减速机类型代号

The type code number for the MB series variable speed machine and helical gear reductor.

<b>无</b>	MB无级变速基本型 MB basic type	<b>.2C</b>	MB 二级齿轮变速器 Two-stages helical gear variable speed machine
<b>.C</b>	MB一级齿轮变速器 One-stage helical gear variable speed machine	<b>.T</b>	MB陶瓷专用变速器 Ceramics appropriate variable speed machine

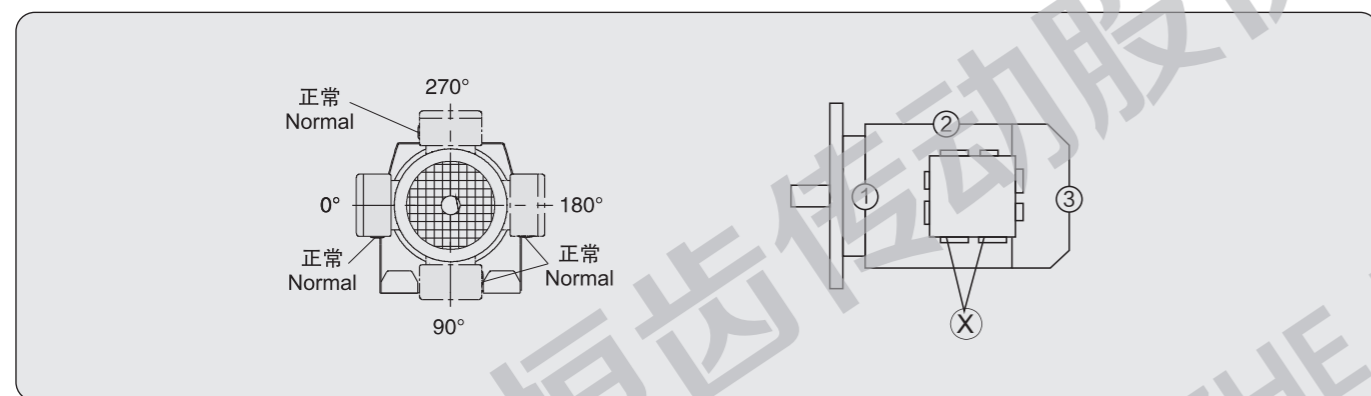
MB无级变速器及齿轮减速机安装形式代号

The MB variable speed machine and helical gear reductor mounting position code number

<b>W</b>	卧式(底座)安装 horizontal (bottom) mounting	<b>F</b>	法兰水平安装 Horizontal flange-mounted
<b>L</b>	法兰垂直安装 Vertical flange-mounted	<b>文字说明</b> Writing elucidation	特殊位置安装 Special position mounting

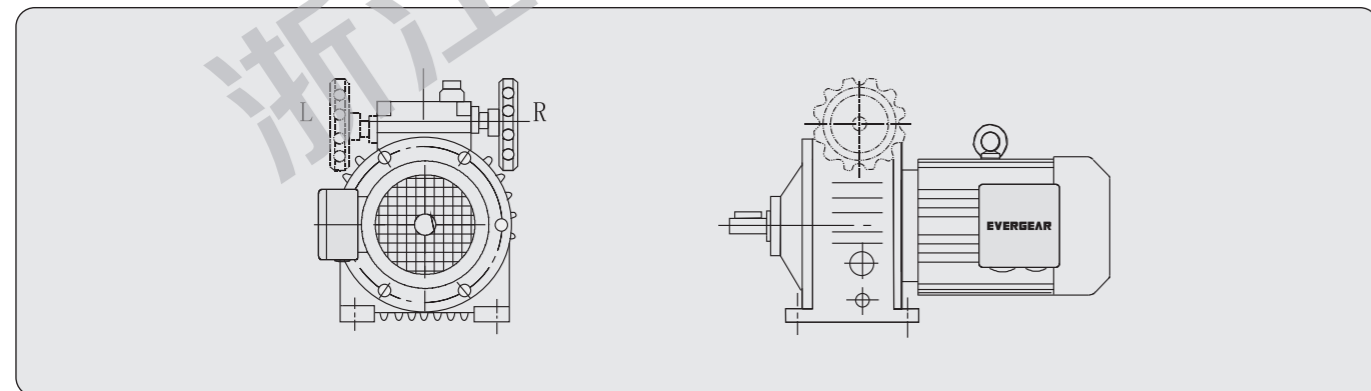
电机接线盒安装形式图

The motor connection box mounting position example



手轮位置图

Handwheel position example



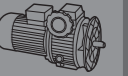
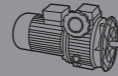
选型参数表

Selection parameter form

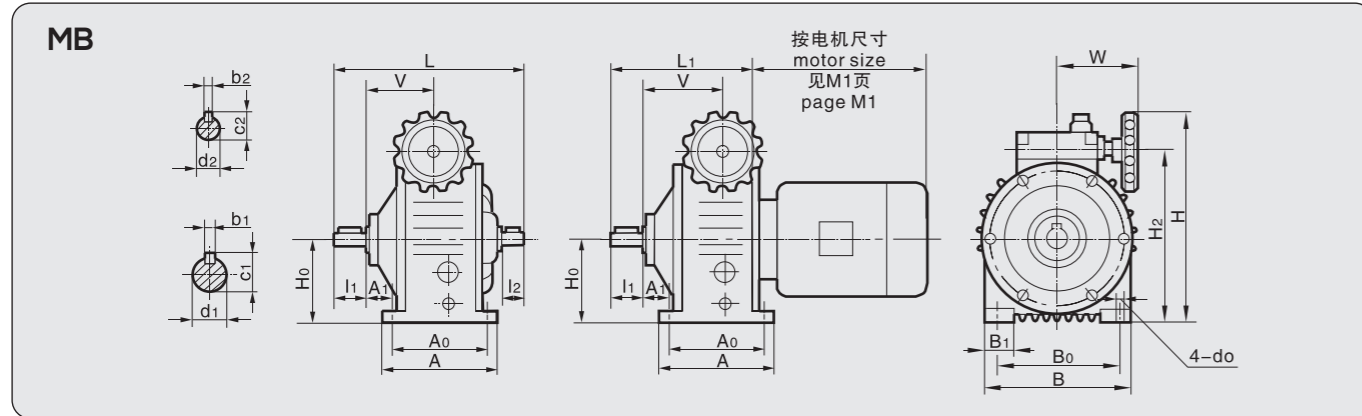
输出转速 Output speed [r/min]	输出转矩 Output torque [Nm]	传动比 Ratio (i)	机型号 Type
<b>0.18kW</b>			
200~1000	3~1.5	io=1.45~7.25	MBW02
80~400	7.4~3.5	2.5io	MBW02.C
60~300	10~4.7	3.3io	
40~200	15~7	5io	
<b>0.37kW</b>			
200~1000	6~3	io=1.45~7.25	MBAW04
80~400	15~7.3	2.5io	MBAW04.C
60~300	20~9.5	3.3io	
40~200	30~15	5io	
25~125	40~20	7.5io	MBAW04.2C
18~90	56~28	10io	
15~75	68~34	13io	
12~60	84~42	16io	
10~50	106~53	20io	
<b>0.55kW</b>			
200~1000	10~5	io=1.45~7.25	MBAW07
80~400	20~9.8	2.5io	MBAW07.C
60~300	32~15.5	3.3io	
40~200	30~15	5io	
25~125	68~34	7.5io	MBAW07.2C
18~90	90~45	10io	
15~75	122~56	13io	
12~60	140~70	16io	
<b>0.75kW</b>			
200~1000	12~6	io=1.45~7.25	MBAW07
80~400	29~15	2.5io	MBAW07.C
60~300	38~19	3.3io	
40~200	60~30	5io	
25~125	80~40	7.5io	MBAW07.2C
18~90	108~54	10io	
15~75	136~68	13io	
12~60	168~84	16io	
<b>1.1kW</b>			
200~1000	18~9	io=1.45~7.25	MBAW15
80~400	39~20	2.5io	MBW15.C
60~300	58~28	3.3io	
40~200	88~43	5io	
25~125	120~60	7.5io	MBW15.2C
18~90	160~80	10io	
15~75	200~100	13io	
12~60	250~125	16io	
<b>1.5kW</b>			
200~1000	24~12	io=1.45~7.25	MBAW15
80~400	59~29	2.5io	MBW15.C
60~300	78~36	3.3io	
40~200	118~59	5io	
25~125	160~80	7.5io	MBW15.2C
18~90	218~108	10io	
15~75	270~135	13io	
12~60	334~167	16io	

输出转速 Output speed [r/min]	输出转矩 Output torque [Nm]	传动比 Ratio (i)	机型号 Type
<b>2.2kW</b>			
200~1000	36~18	io=1.45~7.25	MBW22
80~400	88~44	2.5io	MBW22.C
60~300	118~56	3.3io	
40~200	176~88	5io	
25~125	243~122	7.5io	MBW22.2C
18~90	324~162	10io	
15~75	406~203	13io	
12~60	502~251	16io	
10~50	840~420	20io	
<b>3kW</b>			
200~1000	48~24	io=1.45~7.25	MBW40
80~400	118~59	2.5io	MBW40.C
60~300	158~75	3.3io	
40~200	235~118	5io	
25~125	324~162	7.5io	MBW40.2C
18~90	432~216	10io	
15~75	540~270	13io	
12~60	670~335	16io	
10~50	1150~558	20io	
<b>4kW</b>			
200~1000	64~32	io=1.45~7.25	MBAW40
80~400	157~79	2.5io	MBW40.C
60~300	210~105	3.3io	
40~200	313~157	5io	
25~125	432~216	7.5io	MBW40.2C
18~90	576~288	10io	
15~75	720~360	13io	
12~60	892~446	16io	
10~50	1150~558	20io	
<b>5.5kW</b>			
200~1000	90~45	io=1.45~7.25	MBW55
80~400	216~108	2.5io	MBW55.C
60~300	298~140	3.3io	
40~200	441~216	5io	
25~125	608~304	7.5io	MBW55.2C
18~90	810~405	10io	
15~75	1012~506	13io	
12~60	1256~628	16io	
10~50	1600~800	20io	
<b>7.5kW</b>			
200~1000	118~59	io=1.45~7.25	MBW75
80~400	294~147	2.5io	MBW75.C
60~300	398~198	3.3io	
40~200	558~294	5io	
25~125	795~398	7.5io	MBW75.2C
18~90	1060~530	10io	
15~75	1325~662	13io	
12~60	1643~822	16io	
10~50	2088~1042	20io	

减、变速机的使用与维护请参阅随机附带的《减·变速器使用说明书》。  
regarding use and maintenance of the reduce,variable speed machine,please refer to the  
attached «Instruction Manual of thr Reductor and the Variable Speed Motor»



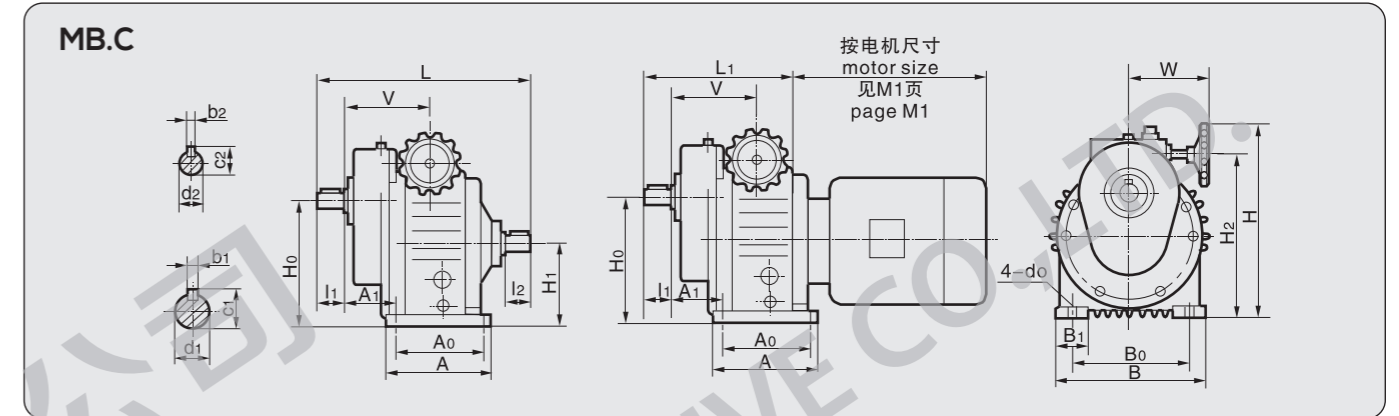
**MBW/MBW-Y 卧式外形及安装尺寸**  
Dimension sheets



型号 Model	中心高 Center height H <sub>0</sub>	安装尺寸 Installation dimensions					输出轴 Output shaft				输入轴 Input shaft				外形尺寸 Overall dimensions							
		A <sub>0</sub>	A <sub>1</sub>	B <sub>0</sub>	B <sub>1</sub>	d <sub>0</sub>	d <sub>1</sub>	b <sub>1</sub>	c <sub>1</sub>	l <sub>1</sub>	d <sub>2</sub>	b <sub>2</sub>	c <sub>2</sub>	l <sub>2</sub>	H <sub>2</sub>	H	A	B	V	W	L	L <sub>1</sub>
MB02	80	105	17.5	110	27	9	11js6	4	12.5	23	11js6	4	12.5	23	158	191	120	145	64.5	110	209.5	135.5
MBA04	93	104	20	120	27	9	14js6	5	16	30	14js6	5	16	30	183	216	125	149	64	110	209	130
MBA07	113	125	26	160	27	11	19js6	6	21.5	40	19js6	6	21.5	40	220	253	150	190	85.5	120	289	179
MBA15	125	140	58.8	180	50	12	24js6	8	27	50	24js6	8	27	40	247	284	165	230	108	124	313	222
MB22	150	230	25	245	55	14	28js6	8	31	60	24js6	8	27	50	300	344	270	300	129.5	174	387	268
MB40	150	230	25	245	55	20	30js6	8	33	60	24js6	8	27	50	300	348	270	300	135	145	387	268
MB55 MB75	200	250	33	315	70	30	35js6	10	38	70	32js6	10	35	60	392	476	290	365	189	215	467	319

注：带“A”表示改进型。Note: "A" means to the improvement type.

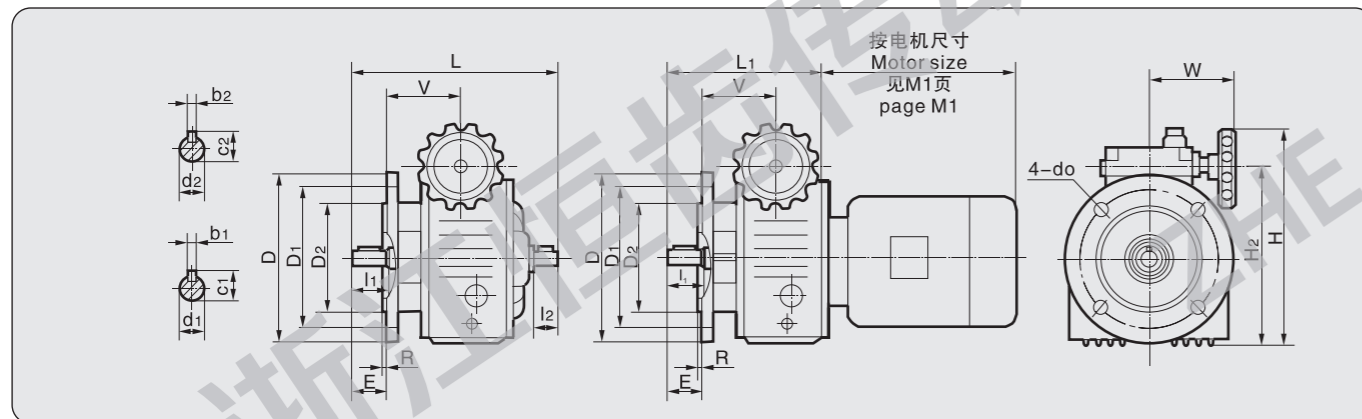
**MBW.C/MBW.C-Y 齿轮减速机组合外形及安装尺寸**  
Dimension sheets for helical gear reductor



型号 Model	中心高 Center height H <sub>0</sub>	安装尺寸 Mounting dimensions					输出轴 Output shaft				输入轴 Input shaft				外形尺寸 Overall dimensions								
		A <sub>0</sub>	A <sub>1</sub>	B <sub>0</sub>	B <sub>1</sub>	d <sub>0</sub>	d <sub>1</sub>	b <sub>1</sub>	c <sub>1</sub>	l <sub>1</sub>	d <sub>2</sub>	b <sub>2</sub>	c <sub>2</sub>	l <sub>2</sub>	H <sub>1</sub>	H <sub>2</sub>	H	A	B	V	W	L	L <sub>1</sub>
MB02.C	120	105	57	110	25	9	20js6	6	22.5	30	14js6	5	16	25	75	160	200	125	140	107	100	234	170
MBA04.C	135	105	59	120	30	10	20js6	6	22.5	30	14js6	5	16	30	90	186	226	135	160	111	111	247	171
MBA07.C	166	125	69	160	40	12	28js6	8	31	35	19js6	6	21.5	30	106	215	260	150	190	123	128	272	209
MBA15.C	190	140	78	180	50	12	30js6	8	33	45	24js6	8	27	40	125	246	313	165	230	133	147	336	245
MB22.C	230	230	93	245	55	14	40k6	12	43	60	24js6	8	27	50	150	300	355	270	300	174	157	425	306
MB40.C	230	230	93	245	55	14	40k6	12	43	60	24js6	8	27	50	150	300	355	270	300	174	157	425	306
MB55.C MB75.C	320	250	157	315	70	18	50k6	14	53.5	82	32js6	10	35	60	200	389	475	290	365	265	186	603	455

注：带“A”表示改进型。Note: "A" means to the improvement type.

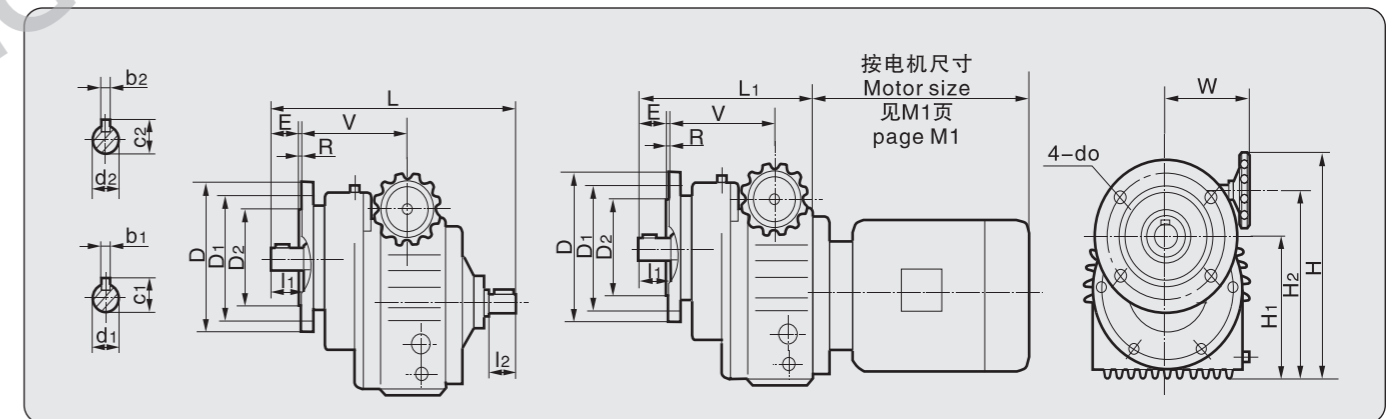
**MBL/MBL-Y 卧式外形及安装尺寸**  
Dimension sheets



型号 Model	安装尺寸 Installation dimensions					输出轴 Output shaft				输入轴 Input shaft				外形尺寸 Overall dimensions							
	D <sub>1</sub>	D <sub>2</sub>	E	R	d <sub>0</sub>	d <sub>1</sub>	b <sub>1</sub>	c <sub>1</sub>	l <sub>1</sub>	d <sub>2</sub>	b <sub>2</sub>	c <sub>2</sub>	l <sub>2</sub>	H <sub>2</sub>	H	V	W	D	L	L <sub>1</sub>	
MB02	115	95h9	23	3.5	9	11js6	4	12.5	23	11js6	4	12.5	23	148	181	41.5	110	140	186.5	112.5	
MBA04	130	110h9	30	3.5	9	14js6	5	16	30	14js6	5	16	30	170	203	63	110	160	189	110	
MBA07	165	130h9	40	3.5	11	19js6	6	21.5	40	19js6	6	21.5	40	207	240	85.5	120	200	289	179	
MBA15	165	130h9	50	3	11	24js6	8	27	50	24js6	8	27	40	230	267	116	124	200	328	237	
MB22	215	180h9	60	4	15	28js6	8	31	60	24js6	8	27	50	300	344	129.5	174	250	387	268	
MB40	265	230h9	60	4	15	28js6	8	31	60	24js6	8	27	50	295	343	135	157	300	387	268	
MB55 MB75	300	250h9	70	5	19	35js6	10	38	70	32js6	10	35	60	382	466	198	186	350	467	319	

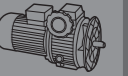
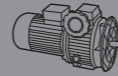
注：带“A”表示改进型。Note: "A" means to the improvement type.

**MBL.C/MBL.C-Y 齿轮减速机组合外形及安装尺寸**  
Dimension sheets for helical gear reductor

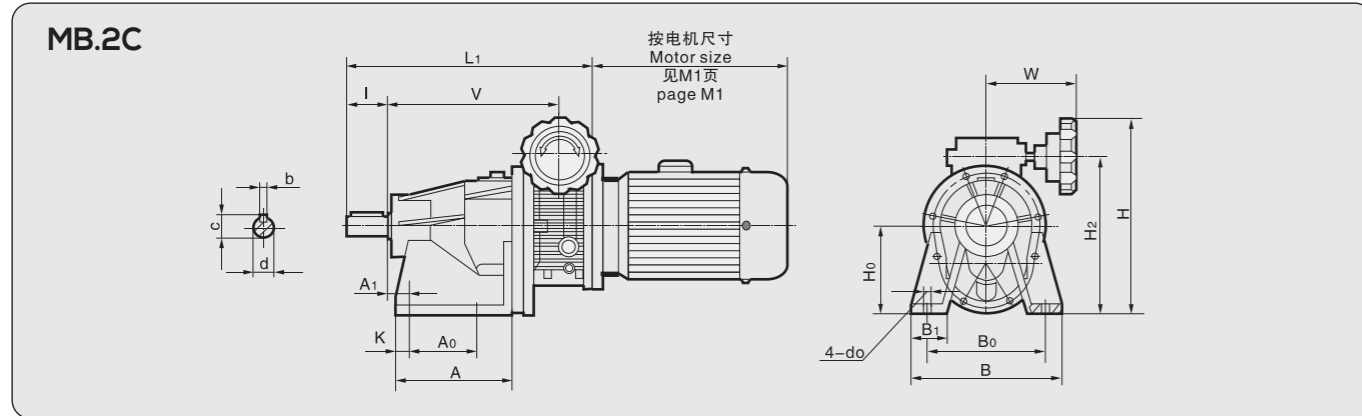


型号 Model	安装尺寸 Mounting dimensions					输出轴 Output shaft				输入轴 Input shaft				外形尺寸 Overall dimensions							
	D <sub>1</sub>	D <sub>2</sub>	E	R	d <sub>0</sub>	d <sub>1</sub>	b <sub>1</sub>	c <sub>1</sub>	l <sub>1</sub>	d <sub>2</sub>	b <sub>2</sub>	c <sub>2</sub>	l <sub>2</sub>	H <sub>1</sub>	H <sub>2</sub>	H	D	V	W	L	L <sub>1</sub>
MB02.C	130	110h9	30	3.5	10	20js6	6	22.5	30	14js6	5	16	25	120	160	200	160	138	100	265	197
MBA04.C	130	110h9	30	3.5	10	20js6	6	22.5	30	14js6	5	16	30	135	186	226	160	140	111	280	203
MBA07.C	165	130h9	35	3.5	12	28js6	8	31	35	19js6	6	21.5	30	166	215	260	200	153	128	306	240
MBA15.C	165	130h9	45	4	12	30js6	8	33	45	24js6	8	27	40	190	246	313	200	155	147	359	266
MB22.C	215	180h9	60	4	15	40k6	12	43	60	24js6	8	27	50	230	300	355	250	205	157	458	337
MB40.C	215	180h9	60	4	15	40k6	12	43	60	24js6	8	27	50	230	300	355	250	205	157	458	337
MB55.C MB75.C	265	230h9	82	5	15	50k6	14	53.5	82	32js6	10	35	60	320	389	475	300	263	186	601	453

注：带“A”表示改进型。Note: "A" means to the improvement type.



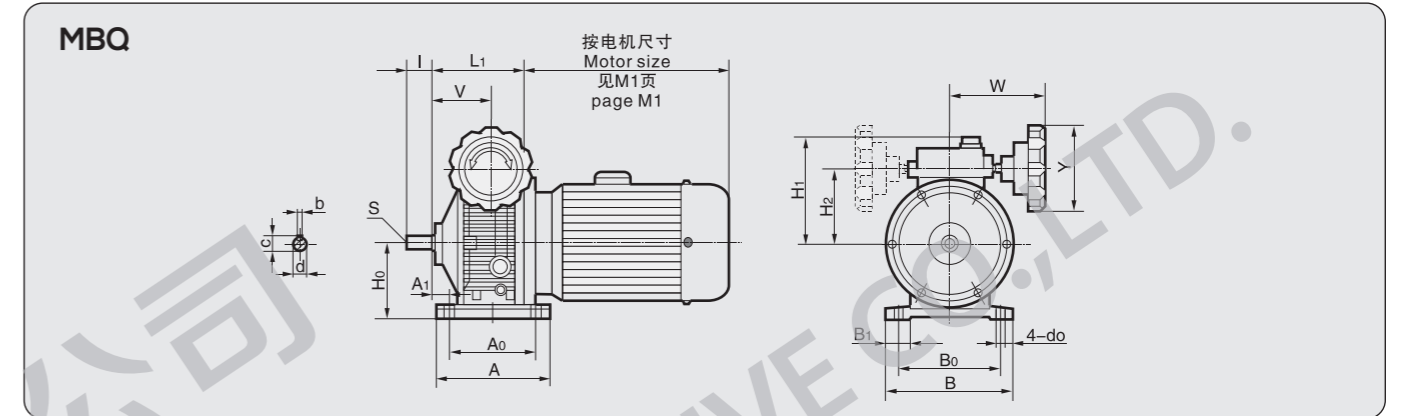
**MBW.2C-Y 二级齿轮减速机组合外形及安装尺寸**  
Dimension sheets for helical gear reductor



型号 Model	中心高 Center height H <sub>0</sub>	安装尺寸 Installation dimensions							输出轴 Output shaft				外形尺寸 Overall dimensions						
		A <sub>0</sub>	A <sub>1</sub>	K	B <sub>0</sub>	B <sub>1</sub>	d <sub>0</sub>	d	b	c	l	H <sub>2</sub>	H	A	B	V	W	L <sub>1</sub>	
MB02.2C	105	70	27	21	105	40	9	19js6	6	21.5	40	182	206	120	130	202	110	266	
MBA04.2C	110	85	22	19	150	45	10	28js6	8	31	55	200	224	140	190	215	110	294	
MBA07.2C	152	106	26	23	174	51	13	32js6	10	35	65	258	281	161	212	219	115	341	
MBA15.2C	170	130	15	25	200	60	14	38k6	10	41	70	291	331	200	250	267	135	402	
MB22.2C	235	180	43	34	250	76	18	55m6	16	59	110	385	426	266	320	375	166	557	
MB40.2C	235	180	43	34	250	76	18	55m6	16	59	110	385	426	266	320	375	166	557	
MB55.2C MB75.2C	280	250	48	38	300	98	21	70m6	20	74.5	140	472	554	344	380	392	194	592	

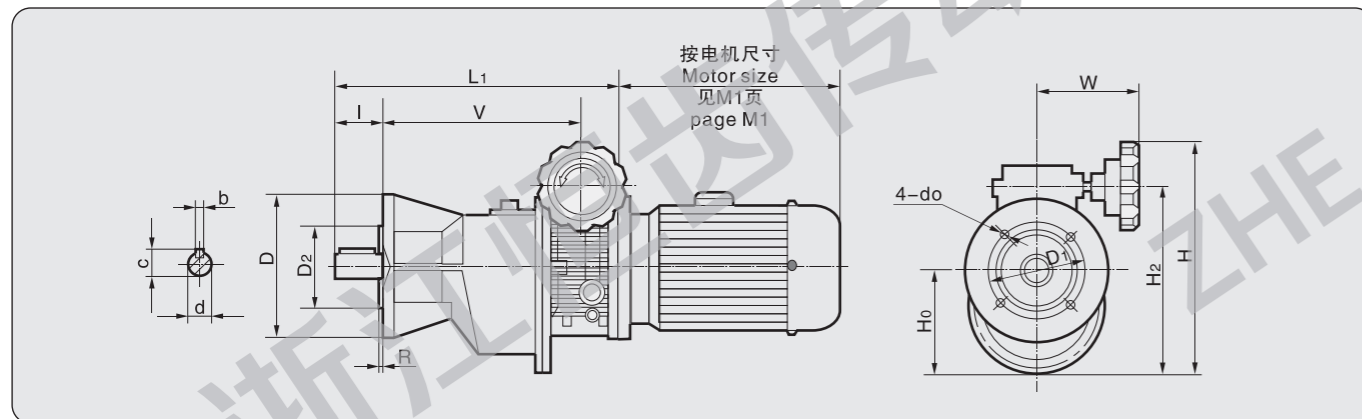
注：带“A”表示改进型。Note: "A" means to the improvement type.

**MBQW-Y 特轻型卧式外形及安装尺寸**  
Dimension sheets for helical gear reductor



型号 Model	中心高 Center height H <sub>0</sub>	安装尺寸 Installation dimensions							输出轴 Output shaft				外形尺寸 Overall dimensions						
		A <sub>0</sub>	A <sub>1</sub>	B <sub>0</sub>	B <sub>1</sub>	d <sub>0</sub>	d	b	c	l	S	H <sub>1</sub>	H <sub>2</sub>	A	B	V	W	Y	L <sub>1</sub>
MBQ02	75	105	13.5	110	25	9	11js6	4	12.5	23	-	110	72	125	145	66	110	85	112
MBQ04	90	105	20	120	27	9	14js6	5	16	30	M6	122	89	125	150	73	110	85	110
MBQ07	106	125	28	160	28	10	19js6	6	21.5	40	M6	140	107	150	190	84.5	115	110	138.5
MBQ15	125	140	50	180	50	12	25js6	8	28	50	M8	145	121	165	230	107	135	110	173

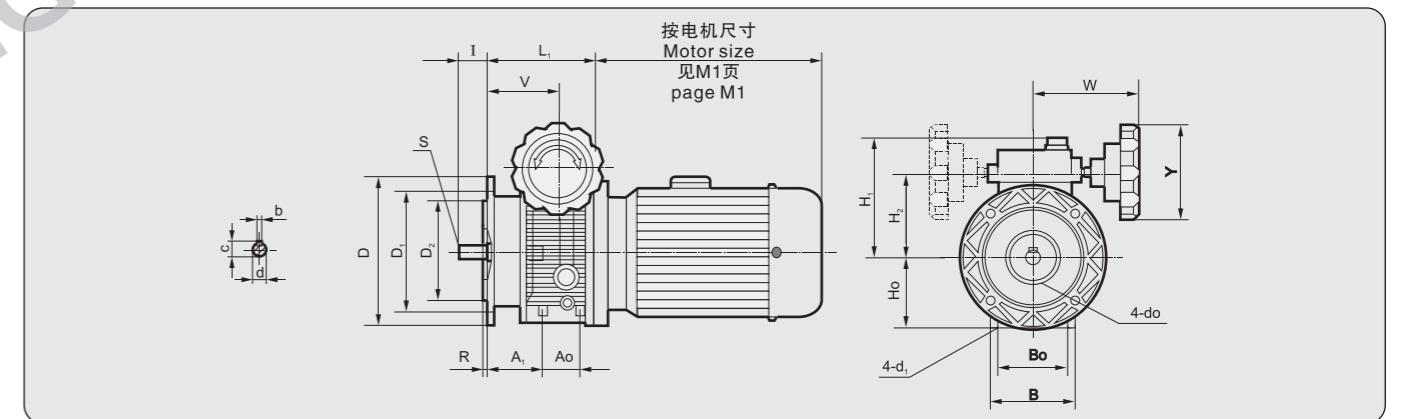
**MBL(F).2C-Y 二级齿轮减速机组合外形及安装尺寸**  
Dimension sheets for helical gear reductor



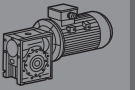
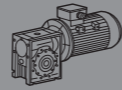
型号 Model	安装尺寸 Installation dimensions				输出轴 Output shaft				外形尺寸 Overall dimensions						
	D <sub>1</sub>	D <sub>2</sub>	R	d <sub>0</sub>	d	b	c	l	H <sub>2</sub>	H	H <sub>0</sub>	D	V	W	L <sub>1</sub>
MB02.2C	115	95h9	3	9	19js6	6	21.5	40	185	206	108	140	208	110	266
MBA04.2C	130	110h9	4	10.5	28js6	8	31	55	203	224	113	160	221	110	294
MBA07.2C	165	130h9	4	12.5	32js6	10	35	65	238	281	132	200	220	115	340
MBA15.2C	215	180h9	5	14.5	38k6	10	41	70	288	331	167	250	267	135	460
MB22.2C	265	230h9	5	14.5	55m6	16	59	110	383	426	232	300	375	166	540
MB40.2C	265	230h9	5	14.5	55m6	16	59	110	383	426	232	300	375	166	540
MB55.2C MB75.2C	300	250h9	5	18	70m6	20	74.5	140	458	508	266	350	392	194	694

注：带“A”表示改进型。Note: "A" means to the improvement type.

**MBQL(F)-Y 特轻型立式(法兰式)外形及安装尺寸**  
Dimension sheets for helical gear reductor



型号 Model	安装尺寸 Installation dimensions				输出轴 Output shaft				外形尺寸 Overall dimensions							
	D <sub>1</sub>	D <sub>2</sub>	R	d <sub>0</sub>	d	b	c	l	S	H <sub>1</sub>	H <sub>2</sub>	D	V	W	Y	L <sub>1</sub>
MBQ02	115	95h9	3.5	9	11js6	4	12.5	23	-	110	77	140	64	110	85	112.5
MBQ04	130	110h9	3.5	9	14js6	5	16	30	M6	122	89	160	70	110	85	110
MBQ07	165	130h9	3.5	11	19js6	6	21.5	40	M6	140	107	200	86	115	110	139
MBQ15	215	180h9	4	15	25js6	8	28	50	M8	145	121	250	107	135	110	173



1 概述  
Summarize

本公司研制的NMRV系列蜗轮减速机外型采用“方箱形”结构，机箱用优质铝合金压铸而成，具有外形美观，体积小、重量轻、散热快、安装方式多样、效率高、输出扭矩大、传动平稳、噪音小，传动比大等特点。

NMRV蜗轮减速机可与铸铝机箱的无级变速机相组合，实现1:6变速和较大减速。

The NMRV series worm reductor which is developed and manufactured by our company, adopt "square box" for shape and utilize the high-quality aluminum alloy die-casting processing for machine box. It is provided with beautiful appearance, little bulk, light weight, radiate swiftly, mounting multiplicity, high efficiency, tremendous output torque, balanced transmission, low noise and large transmission etc.

The NMRV worm gear reductor can be combined with variable speed machine of cast aluminum box, performing 1:6 speed variety and biggest deceleration.

2 场所条件  
Working Environment:

- 1.环境温度-40℃~50℃。(0℃以下启动时润滑油要加热到0℃以上。)
- 2.海拔不超过1000米。
- 3.输入转速不大于1800rpm，齿轮最高圆周速度不超过22m/s。
- 4.可用于正反旋转。
- 5.无行业限制。
- 6.其他条件下使用请与我公司技术部联系。

- 1.Working temperature: -40 C~50 C (The lubrication should be heated until above 0 C if the machine works below 0 C.)
- 2.The working place should be lower than 1,000 meters above sea level.
- 3.The input rotational speed should not exceed 1,800r/m. The circumferential speed of the gear should not exceed 22m/s.
- 4.Suitable for normal-reverse rotation.
- 5.Without industry limitation.
- 6.Please consult our technical supporting department for other circumstances.

3 选型指南  
Instructions for Selection

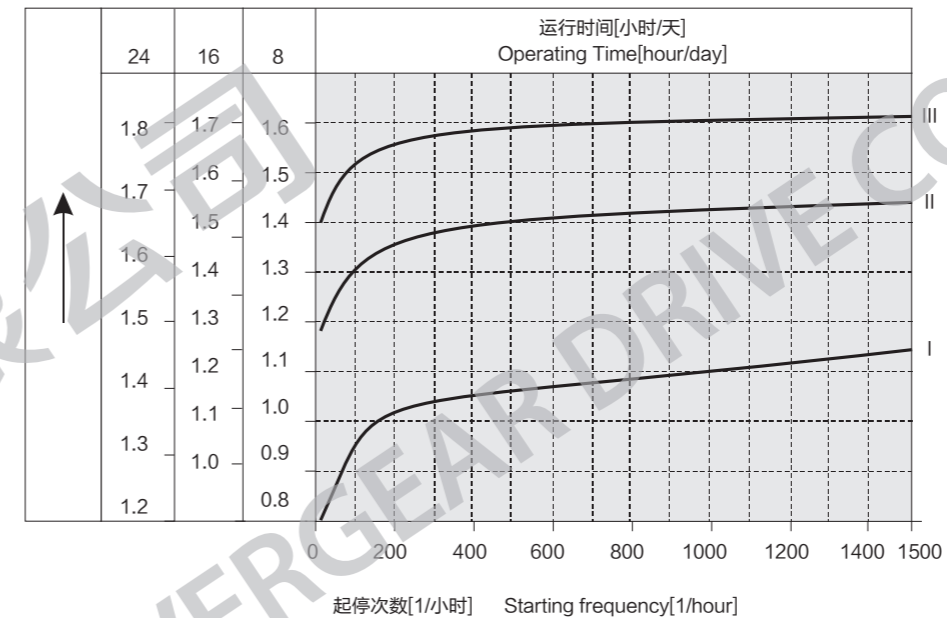
圆柱蜗杆减速机总的工况系数f<sub>A</sub>的计算方法如下：  
The total factor f<sub>A</sub> of worm wheel reductor calculated with following formula:

$$f_A = f_{AL} \times f_{A1} \times f_{A2}$$

- f<sub>AL</sub>** 载荷特性及每天运行时间系数  
Load characteristic and daily operating time factor
- f<sub>A1</sub>** 环境温度系数  
Service factor from ambient temperature
- f<sub>A2</sub>** 循环时间系数  
Service factor from cyclic duration factor

在确定载荷特性及每天运行时间系数f<sub>AL</sub>之前必须先确定一天的运行小时数，每小时的起停次数和负载类型。其中负载类型按下列公式计算：  
The daily operating time,the starting frequency and the load classifications must be determined before deciding the load characteristic and daily operating time factor f<sub>AL</sub>- The load classifications is calculated with the following formula:

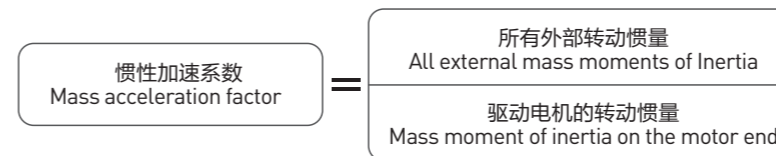
工况系数 f<sub>A</sub> Operating Mode Factor f<sub>A</sub>

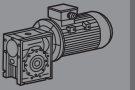
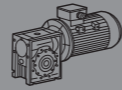


负载类型 Load classification

- I** 均匀负载，惯性加速系数在≤0.2  
Uniform load, mass acceleration factor≤0.2
- II** 中等冲击负载，惯性加速系数≤3  
Medium Impact load, mass acceleration factor≤3
- III** 强烈冲击负载，惯性加速系数≤10  
Heavy shock load, mass acceleration factor≤10

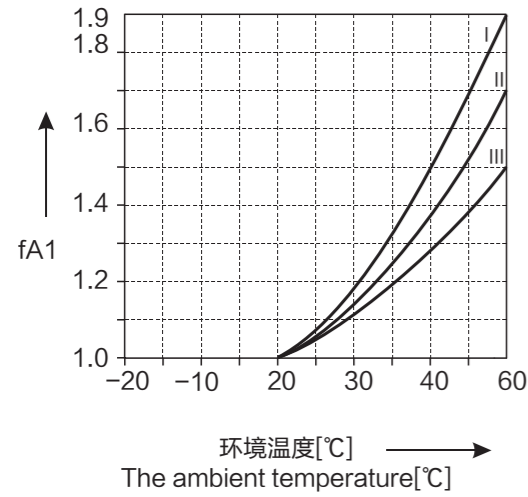
⚠ 如果惯性加速系数 > 10，请与我公司技术部联系。  
Please contact our technical supporting department in case the mass acceleration factor > 10.





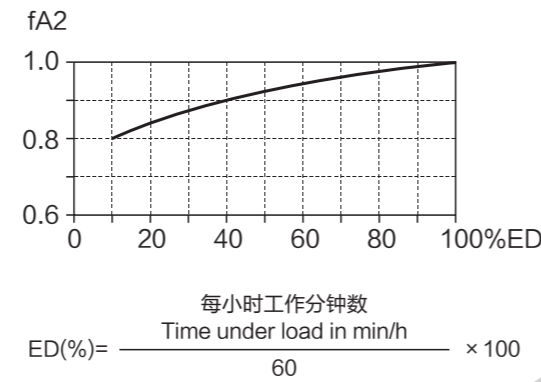
环境温度系数  $f_{A1}$

Service factor from ambient temperature  $f_{A1}$



循环时间系数  $f_{A2}$

Service factor from cyclic duration factor  $f_{A2}$



总工况系数  $f_A$  必须满足下式:

The total operating mode factor  $f_A$  should meet the following formula:

$$\text{使用系数 } f_B \text{ Service factor } f_B \geq \text{总工况系数 } f_A \text{ operating mode factor } f_A$$

使用系数  $f_B$  已在后面的选型参数表中列出。  
The service factor  $f_B$  is listed in the parameter selection list.

允许的轴伸径向载荷及轴向载荷

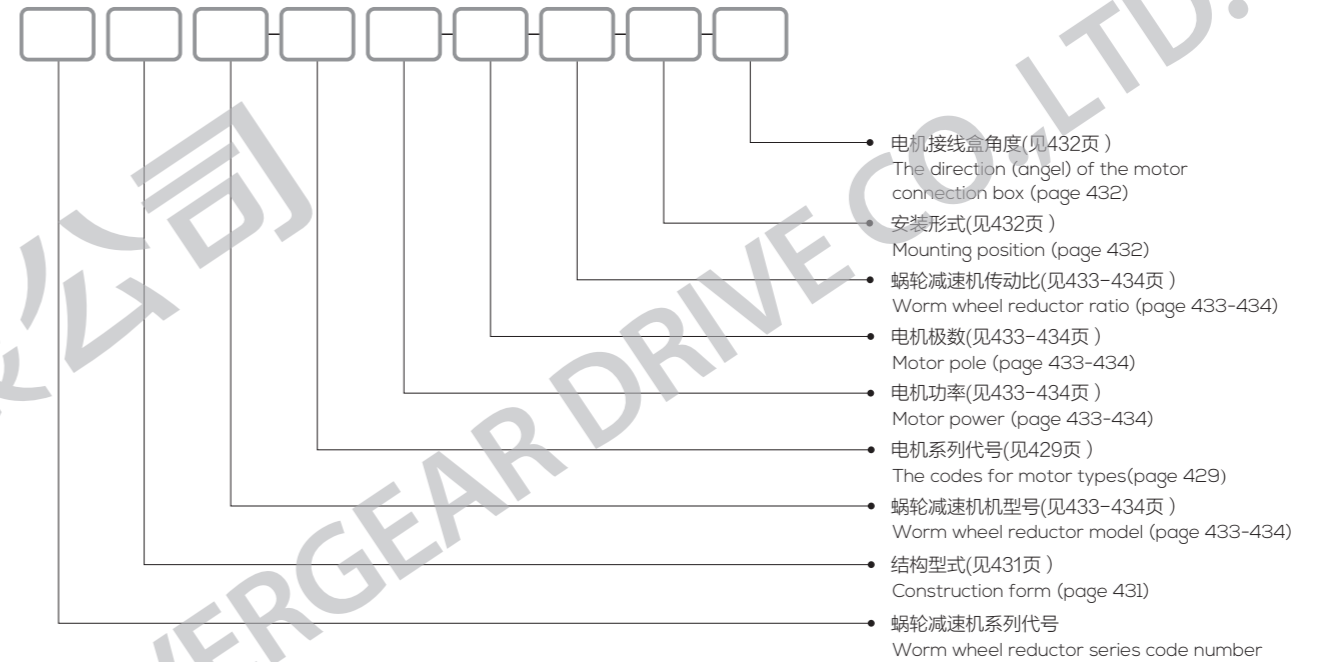
The permitted overhung loads and the axial forces.

输出轴端允许的径向载荷及轴向载荷资料, 请与我公司技术部联系。  
减速机的使用与维护请参阅随机附带的《减·变速机使用说明书》。  
Please contact our technical supporting department for the information on the permitted overhung loads and the axial forces at the end of the output shaft.  
Regarding the use and maintenance of the reductor, please refer to the attached «Instruction Manual of the Reductor and the Variable Speed Motor».

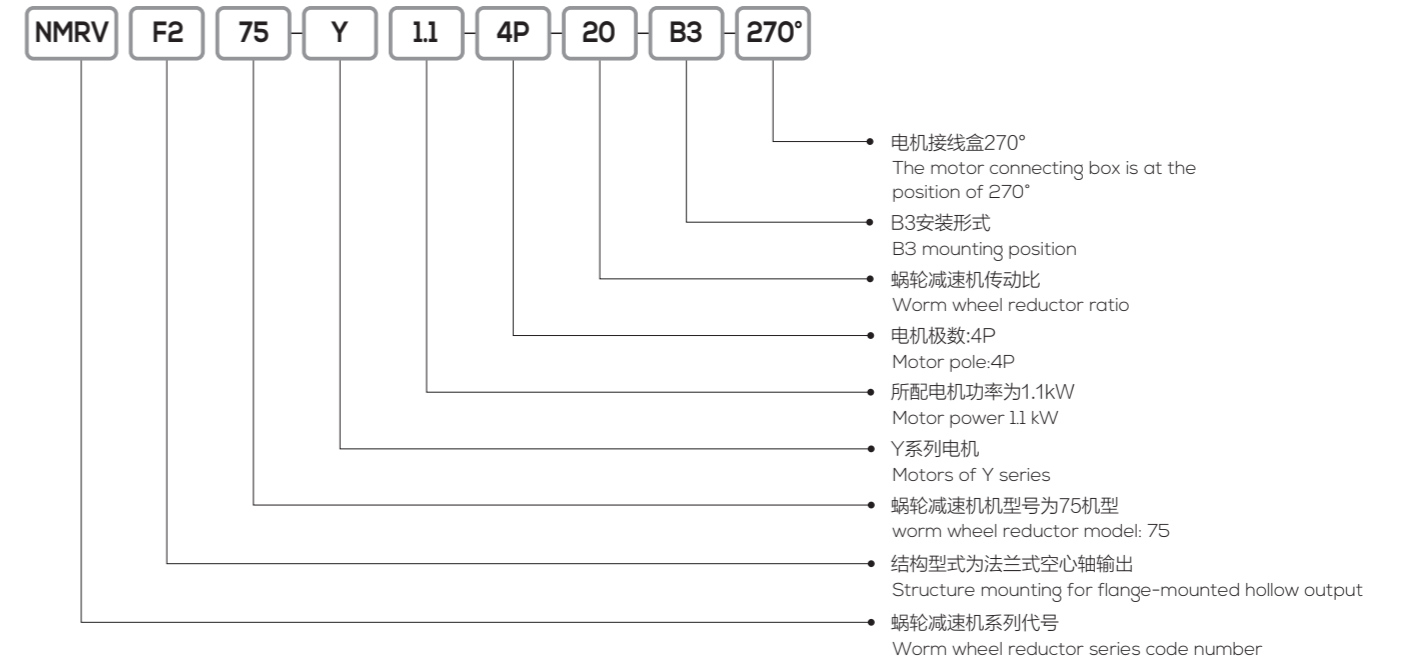
4 电机类型代号  
Codes for Motor Types:

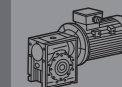
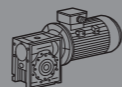
<b>Y</b>	Y系列 Y series	<b>YB</b>	防爆电机 Flameproof Motor	<b>Z</b>	直流电机 Direct Current Motor
<b>YEJ</b>	制动电机 Brake Motor	<b>YG</b>	辊道电机 Roll Motor	<b>YVP</b>	变频电机 Variable Frequency Motor
<b>YVPEJ</b>	变频制动 Transduction braking	<b>YGP</b>	变频辊道 Transduction roller way	<b>YZR</b>	冶金起重 Metallurgy hoisting

3 型号表示法  
The expressing method of model

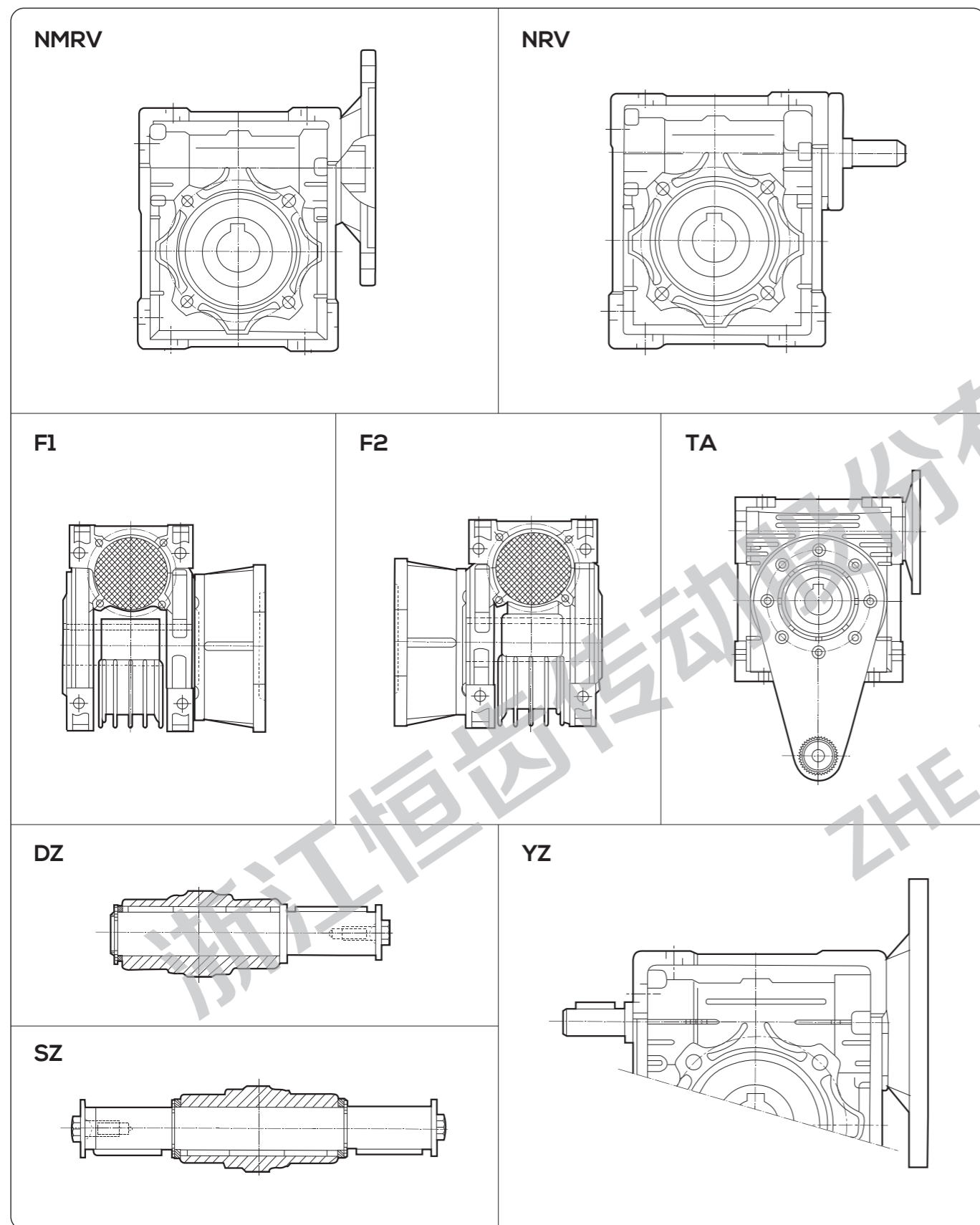


示例  
Give a demonstration

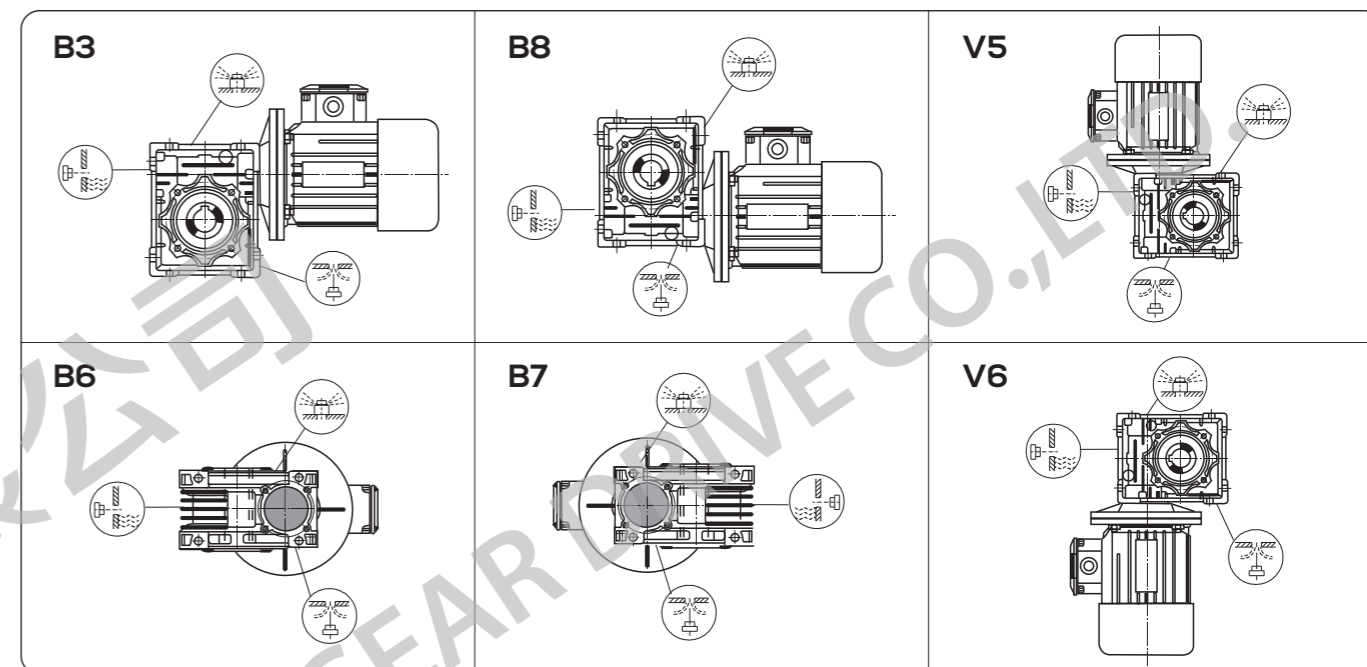




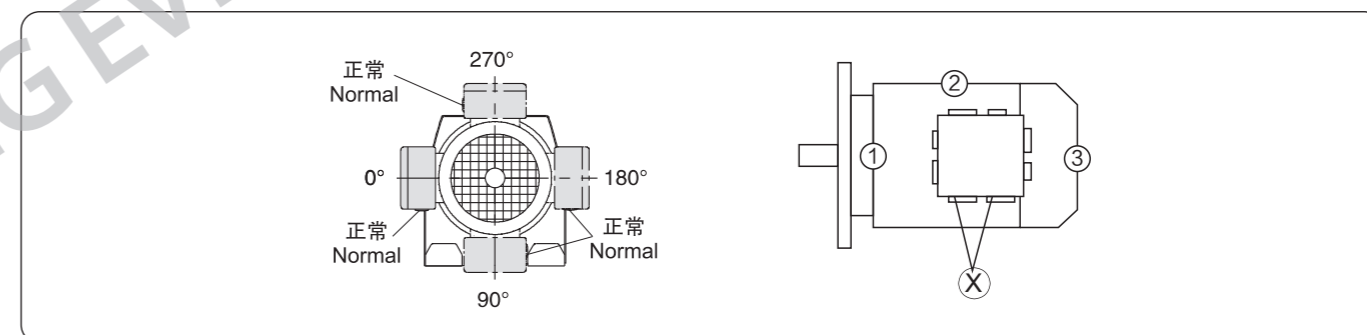
NMRV及NRV结构型式  
Construction form of NMRV or NRV

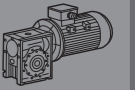
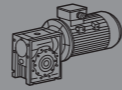


NMRV安装形式  
Mounting position of NMRV



电机接线盒角度  
Motor connecting box angle



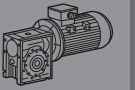
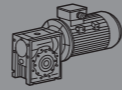


输出转速 Output speed [r/min]	输出转矩 Output torque [Nm]	传动比 Ratio (i)	使用系数 Service factor (f <sub>s</sub> )	机型号 Type	重量 Weight [kg]
<b>0.18kW</b>					
187	7.0	7.5	1.90	NMRV※30	7.4
140	9.0	10	1.50		
93	13	15	1.00		
70	17	20	0.80		
56	21	25	1.00		
47	24	30	0.80		
<b>0.25kW</b>					
187	7.8	7.5	3.3	NMRV※40	8.2
140	13	10	2.7		
93	14	15	1.85		
70	19	20	2.1		
56	23	25	1.64		
47	26	30	1.64		
35	32	40	1.25		
28	38	50	0.98		
23	43	60	0.80		
<b>0.37kW</b>					
35	33	40	2.4	NMRV※50	9.8
28	39	50	1.85		
23	43	60	1.64		
18	52	80	1.25		
14	60	100	0.90		
<b>0.55kW</b>					
187	11	7.5	2.4	NMRV※40	8.2
140	18	10	1.92		
93	19	15	1.30		
70	26	20	1.48		
56	32	25	1.18		
47	36	30	1.18		
35	44	40	0.90		
<b>0.75kW</b>					
187	11	7.5	5.1	NMRV※50	9.8
140	14	10	3.9		
93	19	15	3.0		
70	27	20	2.7		
56	32	25	2.2		
47	37	30	2.2		
35	46	40	1.76		
28	54	50	1.33		
23	60	60	1.18		
18	72	80	0.90		
<b>1.1kW</b>					
187	16	7.5	1.60	NMRV※40	10
140	27	10	1.30		
93	28	15	0.90		
70	39	20	1.00		
56	47	25	0.80		
47	53	30	0.80		
<b>1.5kW</b>					
187	16	7.5	3.4	NMRV※50	12
140	21	10	2.6		
93	29	15	2.0		
70	40	20	1.82		
56	48	25	1.49		
47	54	30	1.49		
35	68	40	1.19		
28	80	50	0.90		
23	89	60	0.80		
<b>2.2kW</b>					
35	70	40	2.1	NMRV※63	15
28	83	50	1.64		
23	94	60	1.34		
18	115	80	1.10		
14	129	100	0.90		

输出转速 Output speed [r/min]	输出转矩 Output torque [Nm]	传动比 Ratio (i)	使用系数 Service factor (f <sub>s</sub> )	机型号 Type	重量 Weight [kg]		
<b>0.55kW</b>							
187	24	7.5	2.3	NMRV※50	14		
140	31	10	1.77				
93	43	15	1.36				
70	59	20	1.23				
56	71	25	1.00				
47	81	30	1.00				
35	101	40	0.80				
<b>0.75kW</b>							
187	25	7.5	4.1	NMRV※63	17		
140	32	10	3.3				
93	46	15	2.5				
70	61	20	2.2				
56	73	25	1.80				
47	84	30	2.0				
35	104	40	1.40				
28	124	50	1.10				
23	140	60	0.90				
<b>1.1kW</b>							
35	108	40	2.0	NMRV※75	20		
28	132	50	1.60				
23	140	60	1.40				
18	180	80	1.00				
14	206	100	0.90				
<b>1.5kW</b>							
187	33	7.5	1.70	NMRV※50	15		
140	42	10	1.30				
93	58	15	1.00				
70	81	20	0.90				
<b>2.2kW</b>							
187	34	7.5	3.0	NMRV※63	18		
140	44	10	2.4				
93	63	15	1.80				
70	83	20	1.80				
56	100	25	1.32				
47	114	30	1.47				
35	141	40	1.03				
<b>3.0kW</b>							
35	147	40	1.47	NMRV※75	21		
28	180	50	1.17				
23	190	60	1.02				
<b>4.0kW</b>							
35	148	40	2.3			NMRV※90	26
28	168	50	1.76				
23	212	60	1.60				
18	249	80	1.17				
14	302	100	0.90				
<b>5.5kW</b>							
187	50	7.5	2.0	NMRV※63	21		
140	65	10	1.64				
93	92	15	1.23				
70	122	20	1.09				
56	146	25	0.90				
47	167	30	1.00				
<b>7.5kW</b>							
187	50	7.5	3.6	NMRV※75	24		
140	66	10	3.0				
93	96	15	2.2				
70	120	20	1.60				
56	150	25	1.36				
47	169	30	1.40				
35	216	40	1.00				
28	264	50	0.80				

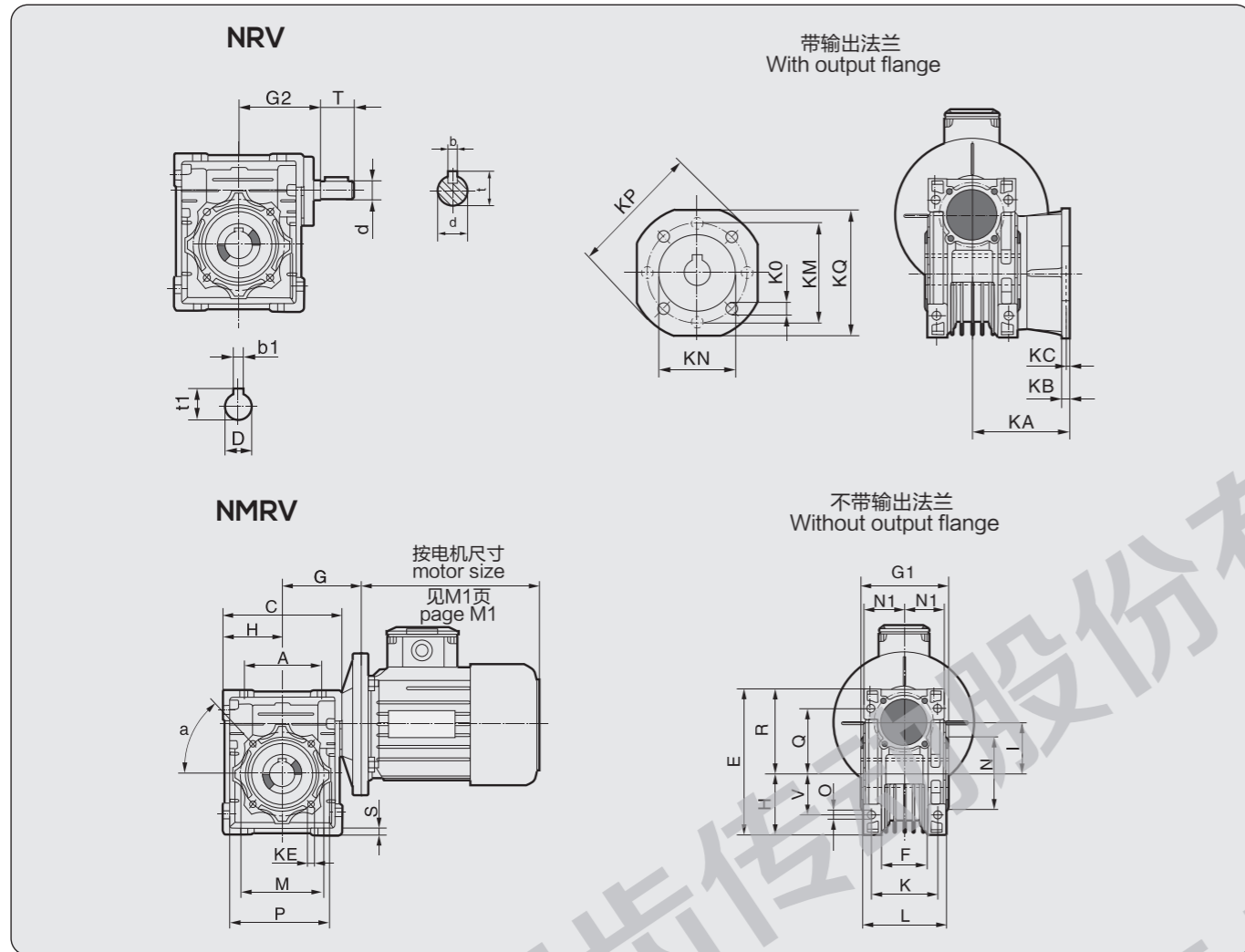
输出转速 Output speed [r/min]	输出转矩 Output torque [Nm]	传动比 Ratio (i)	使用系数 Service factor (f <sub>s</sub> )	机型号 Type	重量 Weight [kg]
<b>1.1kW</b>					
187	50	7.5	4.7	NMRV※90	29
140	65	10	4.0		
93	94	15	3.3		
70	126	20	2.9		
56	154	25	2.2		
47	176	30	2.5		
35	217	40	1.60		
28	246	50	1.20		
23	310	60	1.09		
18	365	80	0.80		
<b>1.5kW</b>					
56	158	25	4.0	NMRV※110	57
47	178	30	3.3		
35	234	40	2.5		
28	281	50	2.2		
23	324	60	1.60		
18	402	80	1.09		
14	473	100	0.90		
<b>2.2kW</b>					
187	68	7.5	1.50	NMRV※63	24
140	88	10	1.20		
93	126	15	0.90		
70	166	20	0.80		
<b>3.0kW</b>					
187	68	7.5	2.7	NMRV※75	27
140	90	10	2.2		
93	131	15	1.60		
70	164	20	1.17		
56	205	25	1.00		
47	230	30	1.00		
<b>4.0kW</b>					
187	68	7.5	3.5	NMRV※90	32
140	89	10	2.9		
93	128	15	2.4		
70	172	20	2.1		
56	210	25	1.60		
47	240	30	1.80		
35	295	40	1.17		
28	335	50	0.88		
23	424	60	0.80		
<b>5.5kW</b>					
56	215	25	2.9	NMRV※110	60
47	243	30	2.4		
35	319	40	1.80		
28	384	50	1.60		
23	442	60	1.17		
18	548	80	0.80		
<b>7.5kW</b>					
187	100	7.5	1.82	NMRV※75	43
140	132	10	1.50		
93	191	15	1.09		
70	240	20	0.80		
<b>10.0kW</b>					
187	99	7.5	2.4	NMRV※90	48
140	130	10	2.0		
93	188	15	1.64		
70	252	20	1.45		
56	308	25	1.09		
47	351	30	1.23		
35	433	40	0.80		
<b>15.0kW</b>					
187	101	7.5	4.8	NMRV※110	76
140	133	10	3.8		
93	194	15	3.0		
70	255	20	2.0		
56	316	25	2.0		
47	356	30	1.64		
35	468	40	1.23		
28	562	50	1.09		
23	648	60	0.80		

输出转速 Output speed [r/min]	输出转矩 Output torque [Nm]	传动比 Ratio (i)	使用系数 Service factor (f <sub>s</sub> )	机型号 Type	重量 Weight [kg]
<b>3kW</b>					
187	137	7.5	1.33	NMRV※75	47
140	180	10	1.10		
93	261	15	0.80		
<b>4kW</b>					
187	135	7.5	1.73	NMRV※90	52
140	177	10	1.47		
93	257	15	1.20		
70	344	20	1.07		
56	420	25	0.80		
47	479	30	0.90		
<b>5.5kW</b>					
187	138	7.5	3.5	NMRV※110	80
140	182	10	2.8		
93	264	15	2.2		
70	348	20	1.47		
56	431	25	1.47		
47	485	30	1.20		
35	638	40	0.90		
28	767	50	0.80		
<b>7.5kW</b>					
187	182	7.5	1.00	NMRV※110	80
140	236	10	1.10		
93	342	15	0.90		
70	458	20	0.80		
<b>10.0kW</b>					
187	184	7.5	2.6	NMRV※110	88
140	243	10	2.1		
93	352	15	1.65		
70	464	20	1.10		
56	575	25	1.10		
47	647	30	0.90		
<b>15.0kW</b>					
187	253	7.5	1.91	NMRV※110	107
140	334	10	1.50		
93.3	484	15	1.20		
70	638	20	0.80		
56	790	25	0.80		
<b>20.0kW</b>					
187	345	7.5	1.40	NMRV※110	120
140	455	10	1.10		



Y电机与NMRV蜗轮减速机组合外形及安装尺寸

Motors of Y and NMRV worm wheel reductor combining shape and installation dimensions

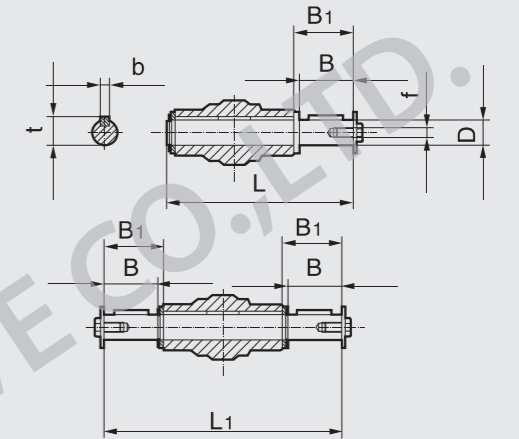


型号 Model	尺寸 Dimensions																						
	A	C	D	E	F	G	H	I	L	M	N	O	P	Q	R	S	V	K	d(j6)	T	G2	b	t
30	54	80	14H7	97	32	63	40	30	56	65	55h8	6.5	75	44	57	5.5	27	44	9	20	51	3	10.5
40	70	100	18H7	121	43	70	50	40	71	75	60h8	7	87	55	71	6.5	35	60	11	23	60	4	12.5
50	80	120	25H7	144	49	80	60	50	85	85	70h8	8.5	100	64	84	7	40	70	14	30	74	5	16
63	100	144	25H7	174	67	95	72	63	103	95	80h8	8.5	110	80	102	8	50	85	19	40	90	6	21.5
75	120	174	28H7	205	72	112.5	86	75	113	115	95h8	11	140	93	119	10	60	90	24	50	105	8	27
90	140	208	35H7	238	73	130	103	90	130	130	110h8	13	160	102	135	11	70	100	24	50	125	8	27
110	170	252.5	42H7	294	-	160	127.5	110	142	165	130h8	14	200	125	167.5	15	85	115	28	60	142	8	31

型号 Model	尺寸 Dimensions													
	G1	N1	KA	KB	KC	KE	a	KM	KN	K0	KP	K0	b1	t1
30	63	29	54.5	6	4	M6x11(n.4)	0°	68	50H8	6.5(4/90°)	80	70	5	16.3
40	78	36.5	67	7	4	M6x8(n.4)	45°	87	60H8	9(4/90°)	110	95	6	20.8
50	92	43.5	90	9	5	M8x10(n.4)	45°	90	70H8	11(4/90°)	125	110	8	28.3
63	112	53	82	10	6	M8x14(n.8)	45°	150	115H8	11(4/90°)	180	142	8	28.3
75	118	57	111	13	6	M8x14(n.8)	45°	165	130H8	14(4/90°)	200	170	8	31.3
90	140	67	111	13	6	M10x18(n.8)	45°	175	152H8	14(4/90°)	210	200	10	38.3
110	155	74	139	15	6	M10x30(n.8)	45°	230	170H8	14(8/90°)	280	250	12	45.3

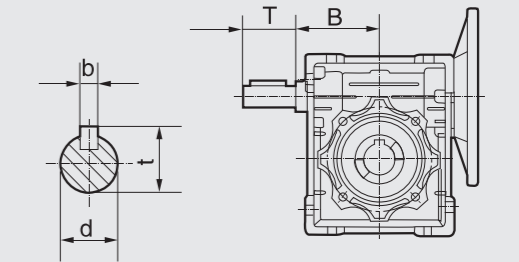
单向/双向输出轴尺寸  
Dimensions of single / double output shaft

型号 Model	D(h6)	B	B1	L	L1	f	b	t
30	14	30	32.5	102	128	-	5	16
40	18	40	43	108	164	M6	6	20.5
50	25	50	53.5	153	199	M6	8	28
63	25	50	53.5	173	219	M10	8	28
75	28	60	63.5	192	247	M10	8	31
90	35	80	84	234	308	M12	10	38
110	42	80	84.5	249	324	M16	12	45



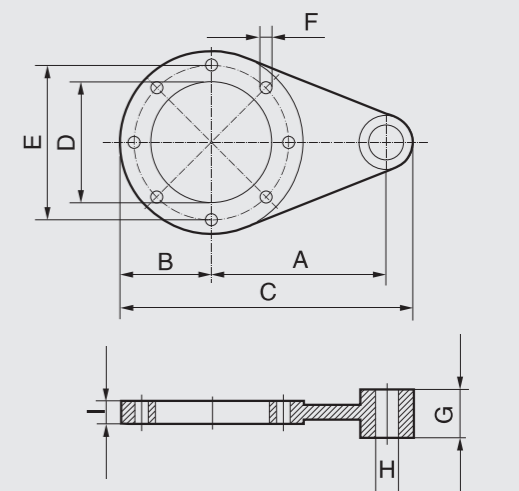
延伸蜗杆轴尺寸  
Dimensions of extension worm shaft

型号 Model	B	d(j6)	T	b	t
30	45	9	20	3	10.5
40	53	11	23	4	12.5
50	64	14	30	5	16
63	75	19	40	6	21.5
75	90	24	50	8	27
90	108	24	50	8	27
110	135	28	60	8	31



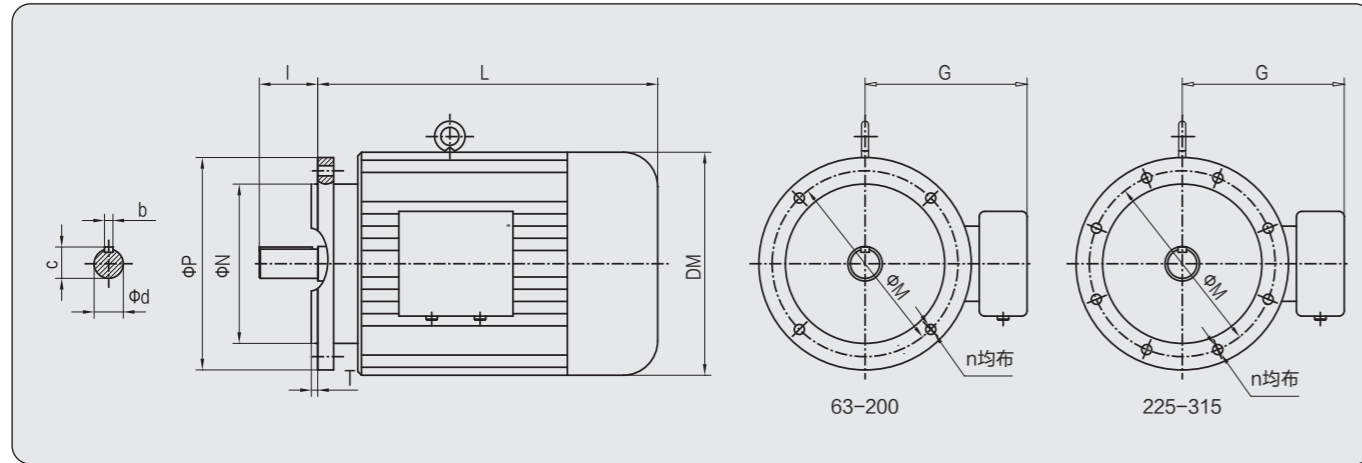
防转臂尺寸  
Dimensions of torque-arm

型号 Model	A	B	C	D	E	F	G	H	I
30	85	38	138	54	65	7	14	8	6
40	100	44	162	60	75	7	14	10	12
50	100	50	168	70	85	9	14	10	12
63	150	55	223	80	95	9	14	10	12
75	200	70	300	95	115	9	25	20	20
90	200	80	310	110	130	11	25	20	20
110	250	100	385	130	165	11	30	25	25



标准普通电机和特殊电机的参数及安装尺寸

Parameters and installation dimensions of ordinary motors and special motors



电机 机座号 Model size	4级 Class4		6级 Class6		8级 Class8		L				G		DM		安装尺寸 Mounting dimensions										重量 Weight (kg)			
	P <sub>1</sub> (kW)	n <sub>1</sub> (r/min)	P <sub>1</sub> (kW)	n <sub>1</sub> (r/min)	P <sub>1</sub> (kW)	n <sub>1</sub> (r/min)	Y <sub>2</sub>	B	E	V	Y <sub>2</sub>	Y <sub>2</sub>	M	N	P	n	T	d	l	b	c	Y (铝壳 Aluminum housing)	Y <sub>2</sub>	B	E	V		
63	0.12	1390					202	270	328		100	130	115	95j6	140	4 X φ 10	3	11j6	23	4	12.5	5.5	13					
	0.18	1390																				6	13.5	15	12			
71	0.25	1390	0.18	900			225	285	345	260	130	145	130	110j6	160	4 X φ 10	3.5	14j6	30	5	16	6.5	14	16	12	14		
	0.37	1390	0.25	900																		7.5	14.5	16	13	15		
80	0.55	1390	0.37	900	0.18	690	255	290	350	310	145	175	165	130j6	200	4 X φ 12	3.5	19j6	40	6	21.5	10	15	31	20	16		
	0.75	1390	0.55	900	0.25	690																11	16	32	21	17		
90S	1.1	1400	0.75	910	0.37	690	270	310	370	320	155	195	165	130j6	200	4 X φ 12	3.5	24j6	50	8	27	16	23	35	27	23		
90L	1.5	1400	1.1	910	0.55	690	295	335	395	345			165	130j6	200	4 X φ 12	3.5	24j6	50	8	27	20	25	39	31	28		
100	2.2	1420	1.5	940	0.75	700	325	370	420	370	180	215	215	180j6	250	4 X φ 15	4	28j6	60	8	31		33	49	41	35		
	3	1420			1.1	700																		35	53	44	36	
112M	4	1440	2.2	940	1.5	700	340	400	450	390	190	240	215	180j6	250	4 X φ 15	4	28j6	60	8	31	41	67	60	43			
132S	5.5	1450	3	960	2.2	710	390	430	505	450	210	275	265	230j6	300	4 X φ 15	4	38k6	80	10	41	65	93	85	63			
132M	7.5	1450	4	960	3	710	430	470	545	490	210	275	265	230j6	300	4 X φ 15	4	38k6	80	10	41	76	105	98	75			
			5.5	960																								
160M	11	1460	7.5	4	720	505	545	610	550	255	330	300	250h6	350	4 X φ 19	5	42k6	110	12	45	118	150	143	116				
				5.5	720																							
160L	15	1460	11	970	7.5	720	560	585	655	595	255	330	300	250h6	350	4 X φ 19	5	42k6	110	12	45	132	169	165	136			
180M	18.5	1470	/	970	/	720	590	620	715	740	280	380	300	250h6	350	4 X φ 19	5	48k6	110	14	51.5	164	205	203	169			
180L	22	1470	15	970	11	730	630	640	765	790			300	250h6	350	4 X φ 19	5	48k6	110	14	51.5	182	222	216	183			
200	30	1470	18.5	970	15	730	660	695	790	850	305	420	350	300h6	400	4 X φ 19	5	55m6	110	16	59	245	300	296	236			
			22	970																								
225S	37	1480		970	18.5	730	675	705	860	910	335	470	400	350h6	450	8 X φ 19	5	60m6	140	18	64	258	360	370	291			
225M	45	1480	30	980	22	730	705	730	890	940	335	470	400	350h6	450	8 X φ 19	5	60m6	140	18	64	290	390	405	327			
250	55	1480	37	980	30	730	770	795	920	1060	370	510	500	450h6	550	8 X φ 19	5	65m6	140	18	69	388	530	498	393			
280S	75	1480	45	980	37	740	845	870	994	1160	410	580	500	450h6	550	8 X φ 19	5	75m6	140	20	79.5	510	660	633	520			
280M	90	1485	55	980	45	740	895	920	1045	1260			500	450h6	550	8 X φ 19	5	75m6	140	20	79.5	606	785	723	610			
315S	110	1485	75	985	55	740	1100	1100			1330	576	645	600	550h6	660	8 X φ 24	6	80m6	170	22	85	910	1000	1150	950		
315M	132	1485	90	985	75	740	1180	1180			1380	576	645	600	550h6	660	8 X φ 24	6	80m6	170	22	85	1000	1100	1230	1030		
315L	160	1485	110	985	90	740	1270	1270			1450	576	645	600	550h6	660	8 X φ 24	6	80m6	170	22	85	1055	1100	1320	1100		
	200	1485	132	985	110	740						576	645									1128	1160	1420	1200			

注：由于结构需要及生产厂家不同，有时参数有所变化，此表仅供参考，准确尺寸请来电垂询。  
 Note: Parameters may vary according to different structural requirements and manufacturers.  
 This table is only for reference. Please call us for exact dimensions.